

# Gecko 85C



## Simple processing solution for conventional plates

Gecko 85C plate processor is the conventional variant of Glunz & Jensen's basic processing platform, supporting medium segment printers. The Gecko is built with Glunz & Jensen's technology, components and quality, and based on the knowledge and experiences of the more advanced and highly recognized Glunz & Jensen processor families.

The processor is a complete and basic configuration with an **out-of-box operation** and can be upgraded with a Feed/Delivery table, a Compact Stacker or a Water saving kit, benefitting both the environment and the overall processing costs.

Gecko 85C is a simple processing solution with a basic range of configuration options, that meets the requirements of most printers in either an offline or an online version. With its open terminal interface, Gecko connects to all setters with a simple ready/not ready interface functionality.



### Trouble free cleaning

Because of the new snap lock bearings, rollers require no adjustment. They can be cleaned or replaced in just moments.



### Convenient servicing

The processor offers easy access for maintenance. Many components such as spray bars and circulation pumps can be removed without tools.



### Simple plate stacking solution

The Compact Plate Stacker is designed as a very simple and compact stacking solution that integrates perfectly with the Gecko processors.



### Very simple and user-friendly control panel

Gecko is very easy to operate with its simple user interface. With its open terminal interface, Gecko connects to all setters with a simple ready/not ready interface functionality.



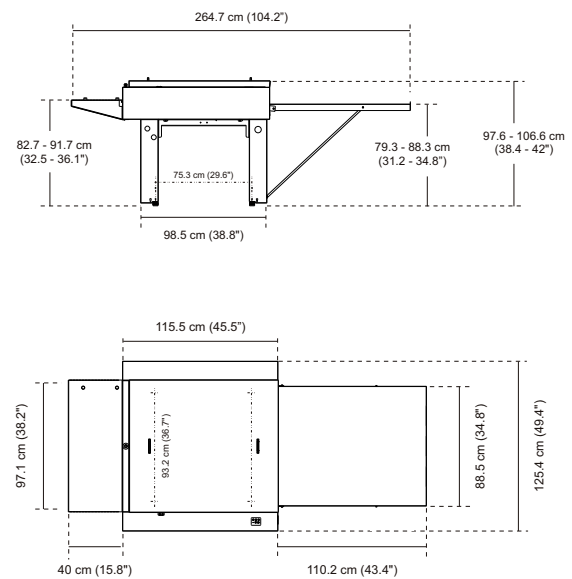
GLUNZ & JENSEN 

## Technical specifications: Gecko 85C

- Basic processing of CtP plates
- Simple standard concept for the commercial market
- Glunz & Jensen technology, components and quality
- Attractive price and feature set
- Open terminal interface for CtP connectivity



Positioning	Recommended for small to medium printers
Materials	Conventional plates
Processing speed	50 - 140 cm/min (19.7 - 55.1"/min)
Material width	850 mm (33.5")
Material length, min.	274 mm (10.8")
Material thickness	0.15 - 0.3 mm (0.006 - 0.012")
Tank content, developer	22 l (5.8 US gal)
Tank content, wash	13.5 l (3.6 US gal)
Adjustable temperature, developer	Adjustable from 20 - 40°C (68 - 104°F)
Adjustable temperature, dryer	35 - 55°C (95 - 131°F)
Area replenishment amount, dev.	0 - 250 ml/m <sup>2</sup> (0 - 0.066 US gal/m <sup>2</sup> )
Water supply	Tap water, pressure min. 1 bar / 15 psi
Wash	Tap water or recirculation (optional)
Water consumption, in recirculation	500 ml/m <sup>2</sup> (0.132 US gal/m <sup>2</sup> )
Power	230V, 1W+N+PE or 2W+PE
Power consumption, ready	0.8 kWh (2,730 BTU/hour)
Power consumption, operate	1.5 kWh (5,120 BTU/hour)
Power consumption, max.	2.5 kWh (8,530 BTU/hour)
Weight, crated	305 kg (672 lbs)
Weight, non-crated	235 kg (518 lbs)
Dimensions, crated	136 cm x 134 cm x 135 cm (53.5" x 52.7" x 53.1")
Approvals	UL, c-UL certified. Complies with CE standards and RoHS directive
Standard, options and accessories	Configured for positive conventional applications, 2nd brush for negative conventional applications, Oscillating Replenishment Pump, Feed Table, Delivery Table, Developer Filter, Water Saving kit, Compact Plate Stacker. Open terminal interface: Gecko connects to all setters with a simple ready/not ready interface functionality.



For more detailed information on Gecko please go to [www.glunz-jensen.com/support/download/manuals](http://www.glunz-jensen.com/support/download/manuals)  
Standard configurations may vary in the market. Specifications are subject to changes without prior notice.

## GLUNZ & JENSEN

### Headquarters:

Glunz & Jensen A/S  
Haslevvej 13  
DK-4100 Ringsted  
Denmark  
Tel. +45 57 68 81 81  
Fax +45 57 68 83 40  
E-mail: [gjhq@glunz-jensen.com](mailto:gjhq@glunz-jensen.com)  
Internet: [www.glunz-jensen.com](http://www.glunz-jensen.com)

### USA Operations:

Glunz & Jensen, Inc.  
12633 Industrial Drive  
Granger, IN 46530  
USA  
Tel: +1 574 272 9950  
Fax: +1 574 277 6566  
[sales-usa@glunz-jensen.com](mailto:sales-usa@glunz-jensen.com)

### China Operations:

Glunz & Jensen (Shenzhen) Representative Office  
China South International Industrial Materials City  
Paper, Printing & Packaging Trade Center  
Block P.14 - No 125, No 1 Hua Nan Main Road  
Ping Hu, Longgang District  
Shenzhen 518111, P.R. China  
Mobile (HK): +852 9230 2919  
Mobile (CH): +86 15018901632  
[kho@glunz-jensen.com](mailto:kho@glunz-jensen.com)