



# Pre-installation Guide

## 301 LF/401 LF/501 LF

▶ **IMPORTANT**

Please follow the instructions in this guide when preparing the installation site prior to arrival and installation of the equipment.

GLUNZ & JENSEN 

February 28th, 2019  
Edition CB, Part No 10074759  
English (en-us) Original version

*( Blank )*

# About this manual

This manual applies to the Light Finisher **301 LF/401 LF/501 LF**.

This manual is published by:

**Glunz & Jensen A/S**

Lindholm Havnevej 29

5800 Nyborg

Denmark

Phone: +45 57 68 81 81

E-mail: [gj@glunz-jensen.com](mailto:gj@glunz-jensen.com)

Internet: [www.glunz-jensen.com](http://www.glunz-jensen.com)

Copyright © February, 2019 by Glunz & Jensen A/S

# Table of Contents

<b>About this manual</b> .....	<b>3</b>
<b>Table of Contents</b> .....	<b>4</b>
<b>Introduction</b> .....	<b>5</b>
Reservations .....	5
Introduction .....	5
Notes, Cautions and Warnings! .....	5
<b>Transportation</b> .....	<b>7</b>
When the equipment arrives .....	7
Storing of the equipment prior to the installation .....	7
The crate .....	7
Crate Dimensions .....	7
Weight .....	8
Checking the crate for damage .....	8
Handling the crate .....	8
Lifting the crate .....	9
Required width of passage and doorways .....	10
<b>Installation requirements</b> .....	<b>11</b>
Heating and ventilation .....	11
Installation kit .....	11
Space requirements .....	12
Free space around the equipment .....	12
Dimensions .....	13
Connections .....	14
Connections .....	14
Connections .....	14
Exhaust connection .....	15
Electrical requirements .....	16
Main power outlet .....	16
Power cable .....	16
Electrical specifications .....	17
Power supply requirements .....	17
Power consumption .....	17
	17
<b>Checklist</b> .....	<b>19</b>

# Introduction

## Reservations




- This manual was written and illustrated using the best possible information available at the time of publication.
- Any differences between this manual and the equipment reflect improvements introduced after the publication of the manual.
- Changes, technical inaccuracies and typographic errors will be corrected in subsequent editions.
- As a part of our policy of continuous improvement, we reserve the right to alter design and specifications without further notice.

## Introduction

The instructions in this Pre-installation Guide help the customer and the Service Technician to prepare the installation site for the arrival and installation of the equipment.

## Notes, Cautions and Warnings!

Notes, cautions, and warnings in this manual are used and categorized as described below:

Symbol	Meaning	Explanation
	<b>NOTE</b>	The operator should observe and/or act according to the information in order to obtain the best possible function of the equipment.
	<b>CAUTION</b>	The operator must observe and/or act according to the information in order to avoid any mechanical or electrical damage to the equipment.
	<b>WARNING</b>	The operator must observe and/or act according to the information in order to avoid any personal injury.



*(blank page)*

# Transportation

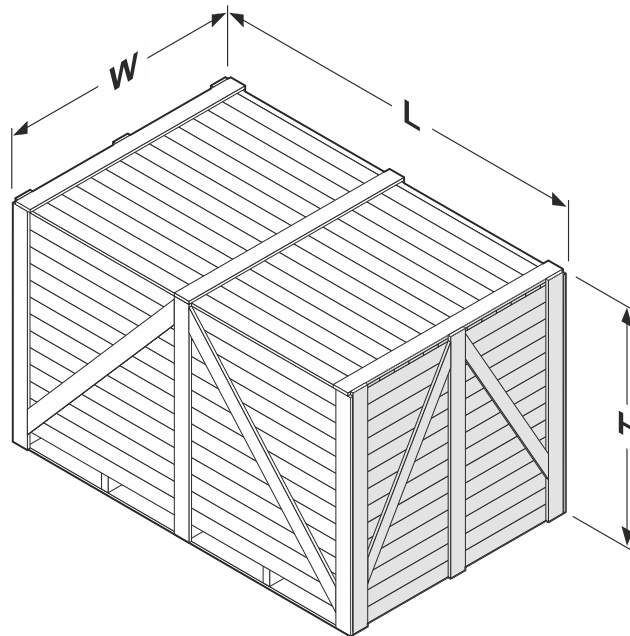
## When the equipment arrives

### Storing of the equipment prior to the installation

The equipment will usually be delivered some time before the arrival of the service technician. Provide for an appropriate place indoor to store the crated equipment until the service technician arrives.

## The crate

### Crate Dimensions



	301 LF	401 LF	501 LF
<b>Length (L)</b>	1638 mm (64.5")	1638 mm (64.5")	1938 mm (76.3")
<b>Width (W)</b>	1910 mm (75.2")	2250 mm (88.6")	2670 mm (105.1")
<b>Height (H)</b>	1117 mm (44")	1117 mm (44")	1117 mm (44")

## Weight

	301 LF	401 LF	501 LF
<b>With crate</b>	391 kg (862 lbs)	650 kg (1433 lbs)	750 kg (1654 lbs)
<b>Without crate</b>	220 kg (485 lbs)	320 kg (706 lbs)	400 kg (882 lbs)

## Checking the crate for damage

Check if the crate is damaged on delivery at the customer's address. Make notes of any damages, before opening the crate. Provide a detailed description and take a photograph of the damage.

Report any damage of the crate to the shipping company and notify the insurance agent, if appropriate, before the mishandled package is opened.

Check the Tilt watch and the Shock watch label that the red mark has not appeared and compare their serial numbers with those on the box label whether they match.

## Handling the crate

The icons on the crate indicate how to handle the crate during transport and storage:



Ensure that the side indicated by the arrows is always up.



Handle the crate with care



Never expose the crate to water, or place it in a high-humidity area.



Do not stack the crates.



Do not tilt the crate.



## Lifting the crate

The equipment is supplied in a wooden crate on a pallet.

A forklift truck is required for lifting the crate on arrival and for lifting the equipment off the pallet.

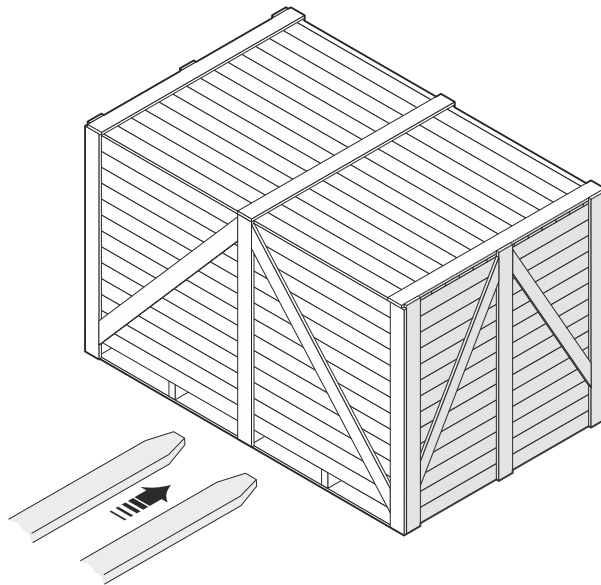


**WARNING:** The equipment is very heavy equipment.

It is only possible to lift the equipment off the pallet using a forklift truck or a pallet mover.





**CAUTION:** Make sure to provide a forklift designed and adequate for lifting a crate of the size and weight as specified in this manual.



## Required width of passage and doorways

Depending on the width of the passage- and doorways through which the equipment has to be transported to the installation site, the service technician may have to perform the actions described in the table below:

If width of the doorway is ...	301 LF	401 LF	501 LF	Then ...
<b>More than</b>	1700 mm (66.9")	2100 mm (82.7")	2550 mm (100.4)	The crated equipment can be transported immediately to the installation site.   <b>CAUTION:</b> May require machine moving skates suitable for transport of very heavy equipment.
<b>Less than but more than</b>	1700 mm (66.9")  1550 mm (61.0")	2100 mm (82.7")  1550 mm (61.0")	2550 mm (100.4)  1900 mm (74.8")	The Service Technician has to unpack the equipment.   <b>CAUTION:</b> May require machine moving skates suitable for transport of very heavy equipment.

# Installation requirements



**WARNING:** The equipment must be installed in restricted access locations only.



**NOTE:** Check the delivery route to the installation location for necessary clearance and remove all obstructions.

## Heating and ventilation

Provide a heat and ventilation system capable of maintaining room temperature between 17°C (63°F) and 28°C (82°F) and a relative humidity (non condensing) of min. 20% and max. 80%.

For heat emission see "Power consumption" on page 17.

## Installation kit

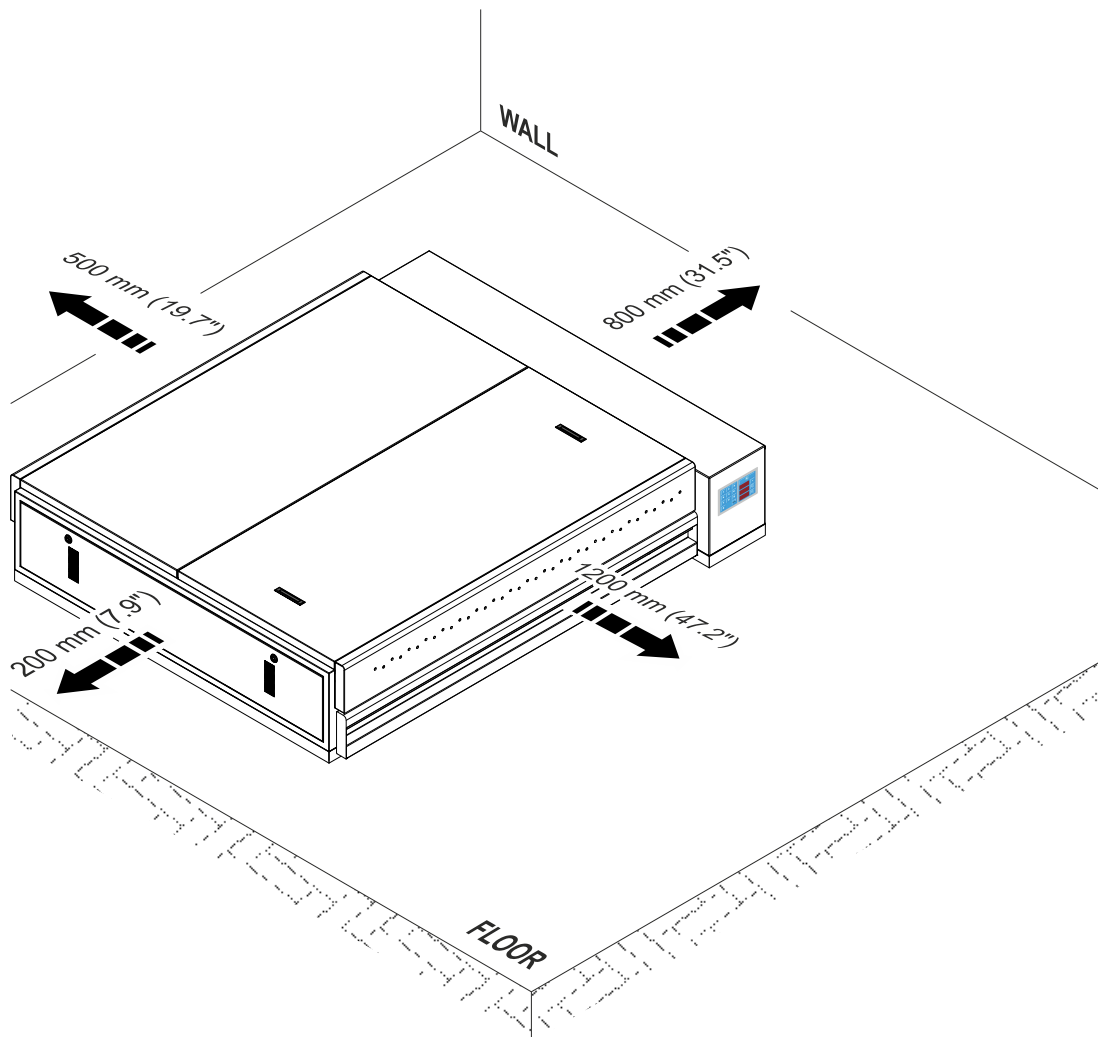
Installation kit is included with the equipment. It comprise the parts necessary to make the installation.

## Space requirements

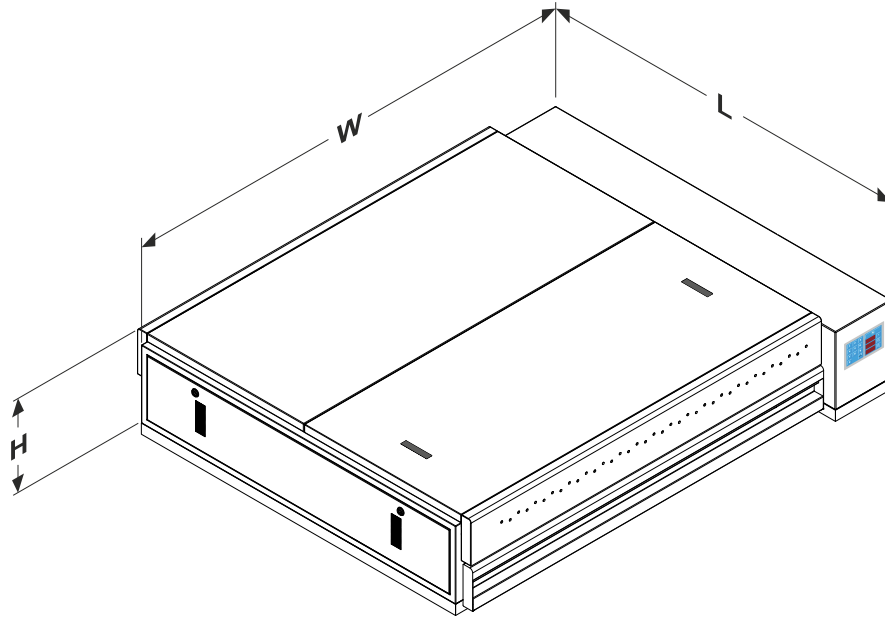
### Free space around the equipment

Decide for a proper installation site for the equipment and make sure that the free space around the equipment makes servicing possible.

The recommended minimum free space around the equipment is specified in the next illustration.



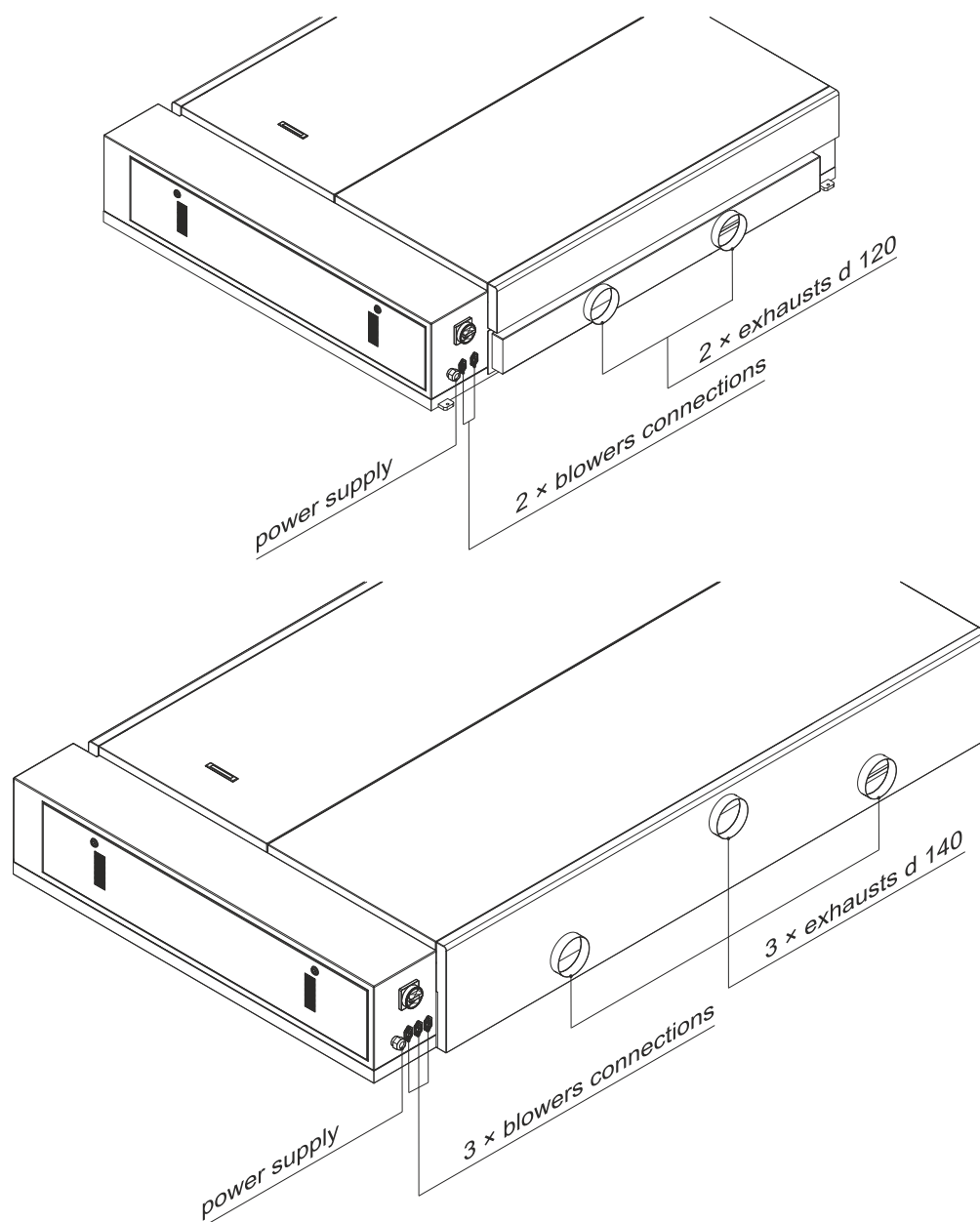
## Dimensions



	301 LF	401 LF	501 LF
<b>Width (W)</b>	1735 mm (68.3")	2080 mm (81.9")	2500 mm (98.4")
<b>Length (L)</b>	1470 mm (57.9")	1470 mm (57.9")	1768 mm (69.6")
<b>Height (H)</b>	355 mm (14.0")	355 mm (14.0")	355 mm (14.0")

## Connections

### Connections



### Connections

	301 LF	401 LF	501 LF
Light finisher exhaust	d 120 mm	d 120 mm	d 140 mm

**Exhaust connection**

Light finisher exhaust must be connected to the appropriate and separate location (directly to the outside or to the building exhaust installation).



**WARNING:** Do not connect the dryer and light finisher exhausts together as the mixing of vapors could create explosive fumes emission depending of the solvent used to wash the plates.

Make sure that the airflow is correct and minimum exhaust capacity is according to the Exhaust specification table.

	301 LF	401 LF	501 LF
<b>Light finisher, min.</b>	2 × 400 m <sup>3</sup> /h (2 × 235 ft <sup>3</sup> /min)	2 × 400 m <sup>3</sup> /h (2 × 235 ft <sup>3</sup> /min)	3 × 400 m <sup>3</sup> /h (3 × 235 ft <sup>3</sup> /min)

## Electrical requirements



**WARNING:** Electrical installation must conform to local regulations and guidelines.

### Main power outlet

Provide an mains power-outlet with an electrical plug lockout close to the installation site. The table showing "Power supply requirements" on the facing page indicates the applicable power supply types.

### Power cable



**NOTE:** The cable for the main power connection is included with the equipment.



**WARNING:** The equipment is Class 1 equipment. Therefore, the equipment must be connected to earth to avoid electrical shocks.

Please be aware of double pole/neutral fusing.



**CAUTION:**

The conductors in the power supply cable should be of copper.

Provide for additional cable protection, e.g. cable covers, if cable is exposed to heavier transport such as fork-lift trucks etc.



## Electrical specifications

### Power supply requirements



**CAUTION:** The requirements below are specifications for preparing the installation protection. The fuses/circuit breakers must be prepared according to local regulations, and with adequate capacity as specified here. The circuit breakers must be suitable for inventor operation.



**NOTE:** Specifications on the equipment's name plate is the actual input current and will thus not be identical to below mentioned.

	Supply *	Fuses and cables types		
		301 LF	401 LF	501 LF
<b>EUR</b>	3W + N + PE, 400 VAC, 50/60 Hz	Fused by 3 × 5 Amps Cable type: Min. 5 × 2.5 mm <sup>2</sup> , type H07 RNF	Fused by 3 × 6 Amps Cable type: Min. 5 × 2.5 mm <sup>2</sup> , type H07 RNF	Fused by 3 × 8.5 Amps Cable type: Min. 5 × 2.5 mm <sup>2</sup> , type H07 RNF
<b>US</b>	3W + PE, 230 VAC, 50/60 Hz	Fused by 3 × 9 Amps Cable type: Min. 4 × 10 AWG, type S, SJ, SJO or SJT	Fused by 3 × 11 Amps Cable type: Min. 4 × 10 AWG, type S, SJ, SJO or SJT	Fused by 3 × 15 Amps Cable type: Min. 4 × 10 AWG, type S, SJ, SJO or SJT

\*) Voltage tolerance ± 10%



**NOTE:** The power cable(s) must be in accordance with local regulations.



**WARNING:** Please be aware of double pole/neutral fusing.



**CAUTION:** The fuses must have a breaking capacity of min. 100 kA.



**CAUTION:** If a circuit breaker of type ELCB, RCCB, or GFCI is used where leakage to ground is detected, the trip sensitivity must be 300 mA.

### Power consumption

	301 LF	401 LF	501 LF
<b>In operate, per phase (±10%), max.</b>	3200 W	4000 W	5500 W



*(blank page)*

# Checklist

Please check the following conditions in order to ensure a trouble-free installation of the equipment:

- | 1. <b>Delivery of the crate and transport to the installation site</b>  | <b>YES</b>            | <b>NO</b>             |
|---|-----------------------|-----------------------|
| A. Is there a place indoor where the crated equipment can be stored temporarily?  | <input type="radio"/> | <input type="radio"/> |
| B. Is there a hand-powered pallet mover, a fork-lift truck or any other lifting device available? Please refer to "Lifting the crate" on page 1 for required lifting equipment. | <input type="radio"/> | <input type="radio"/> |
| C. Can the crate be transported directly to the installation site? See "Required width of passage and doorways" on page 10.   | <input type="radio"/> | <input type="radio"/> |
| D. Is it necessary to unpack the equipment before it is transported to the installation site? See "Required width of passage and doorways" on page 10.                          | <input type="radio"/> | <input type="radio"/> |
| E. Are there other factors (stairs, elevators, corners, obstacles, etc.) which should be taken into account when transporting the equipment?<br>If YES, please describe:        | <input type="radio"/> | <input type="radio"/> |
- 

- | 2. <b>Power supply</b>  | <b>YES</b>                          | <b>NO</b>             |
|---|-------------------------------------|-----------------------|
| A. Make a note of the present supply specifications:  |                                     |                       |
| Number of phases: _____   | Neutral wire? <input type="radio"/> |                       |
| Voltage (V): _____  | Earth wire? <input type="radio"/>   |                       |
| Fused by (Amps): _____  |                                     |                       |
| Frequency (Hz): _____   |                                     |                       |
| B. Has a connection box been provided to connect the equipment to the mains?  | <input type="radio"/>               | <input type="radio"/> |
| C. Has the customer been asked to provide for all supplies (cables, fuses, etc.) necessary to connect the equipment to the mains? | <input type="radio"/>               | <input type="radio"/> |
| D. Is there a house electrician available?  | <input type="radio"/>               | <input type="radio"/> |
| E. Are there any known problems in the building where the equipment will be installed?<br>If YES, please describe which:          | <input type="radio"/>               | <input type="radio"/> |
-

- |    |  | YES                   | NO                    |
|----|--|-----------------------|-----------------------|
| 3. | <b>Connections</b>   |                       |                       |
| A. | Is air condition/ventilation available according to the requirements as described in chapter "Exhaust connection" on page 15.? | <input type="radio"/> | <input type="radio"/> |
- 

- |    |   | YES                   | NO                    |
|----|---|-----------------------|-----------------------|
| 4. | <b>Web registration</b>   |                       |                       |
| A. | The login and password is necessary to download an available manuals for the equipment. |                       |                       |
|    | - Click on Login and then Create new account.   |                       |                       |
|    | - Fill up the required fields and checkboxes.   |                       |                       |
|    | - Then click on CREATE NEW ACCOUNT.   | <input type="radio"/> | <input type="radio"/> |
|    | - After while the login information will be delivered to the specified e-mail.          |                       |                       |
-