

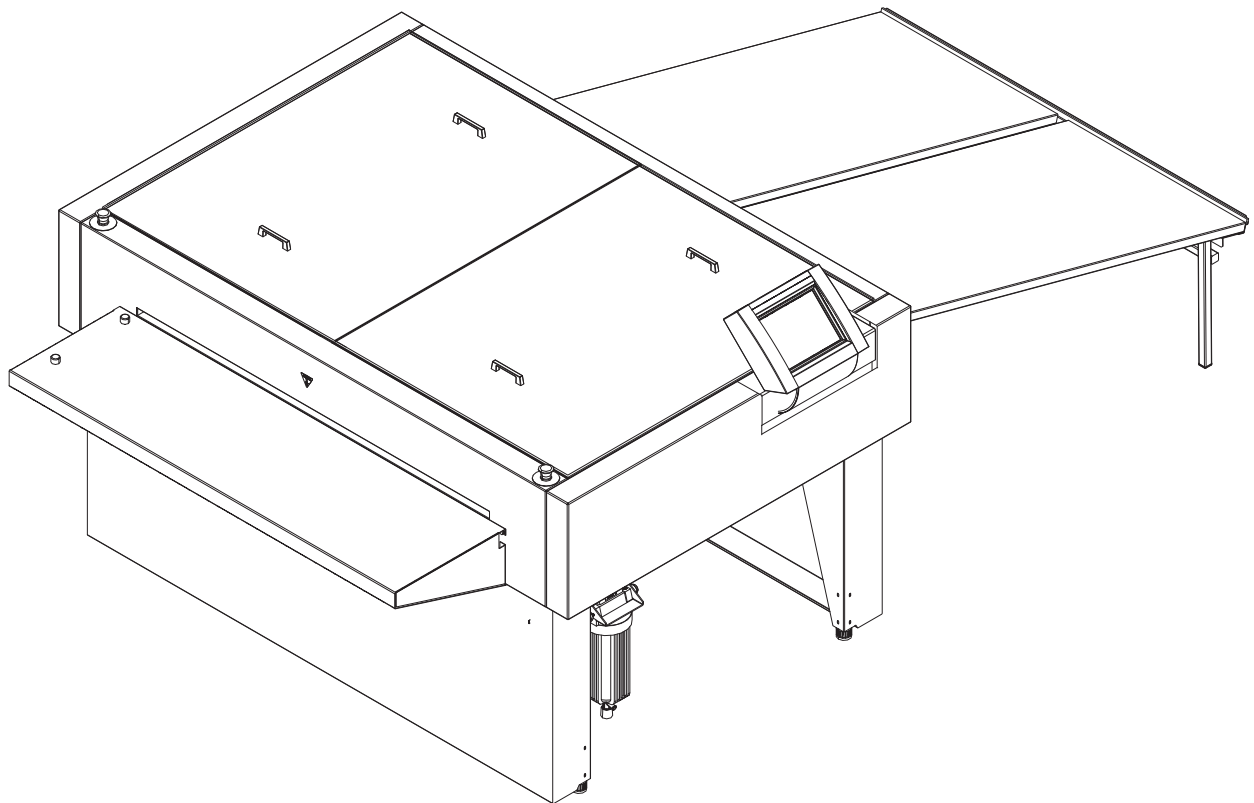
Pre-installation Manual



Tiger 86/125 Premium

Pre-installation Manual

Tiger 86/125 Premium



This manual is published by: **GLUNZ & JENSEN A/S**
Selandia Park 1
DK-4100 Ringsted
Denmark
Phone: +45 5768-8181
E-mail: gjhq@glunz-jensen.com
Internet: www.glunz-jensen.com

Copyright © 2015 by GLUNZ & JENSEN A/S.

Part 0: Introduction

Reservations

- This manual was written and illustrated using the best possible information available at the time of publication.
- Any differences between this manual and the equipment reflect improvements introduced after the publication of the manual.
- Changes, technical inaccuracies and typographic errors will be corrected in subsequent editions.
- As a part of our policy of continuous improvement, we reserve the right to alter design and specifications without further notice.

Pre-installation instructions

The instructions in this Pre-installation Manual allow the customer and the Service Technician to prepare the installation of the plate processor.

- Never install the processor in explosive environments.
- It is the responsibility of the owner and operator/s of the processor that the installation is made in accordance with local regulations, and by engineers authorized to carry out plumbing and electrical installations.
- The manufacturer cannot be held responsible for any damage caused by incorrect installation of the processor.



Only qualified Service Technicians are allowed to unpack and install the equipment.



When preparing the installation site please take into consideration that this equipment is for restricted access locations only!



Please download the Service and User's manuals from G&J home page www.glunz-jensen.com before the installation of the processor.

Notes, cautions, and warnings !

Throughout the manual warnings, cautions, and notes are written in bold like the example below:



Electrical installation must conform to local regulations and guidelines.




Symbol	Meaning	Explanation
	Note	The operator should observe and/or act according to the information in order to obtain the best possible function of the equipment.
	Caution	The operator must observe and/or act according to the information in order to avoid any mechanical or electrical damage to the equipment.
	Warning	The operator must observe and/or act according to the information in order to avoid any personal injury.

Table of contents

Part 0: Introduction	0-3
Reservations	0-3
Pre-installation instructions	0-3
Notes, cautions, and warnings !	0-4
Table of contents	0-5
Part 1: Transportation	1-1
When the processor arrives	1-1
Storing the processor before installation	1-1
The crate	1-1
Dimensions and weight	1-1
Checking the crate for damage	1-2
Handling the crate	1-2
Transporting the processor	1-3
Lifting the crate	1-3
Available width for transport	1-3
Transport security items	1-4
Lifting the processor off the pallet	1-4
Moving the processor - after lifting the processor off the pallet	1-4
Part 2: Installation requirements	2-1
Environmental requirements	2-1
Cleaning facilities	2-1
Necessary tools and software requirements	2-1
Space requirements	2-2
Free space around the machine	2-2
Processor dimensions	2-3
Water supply and drains	2-4
Water supply	2-4
Drains	2-4
Electrical requirements	2-5
Main power connection	2-5
Main power outlet	2-5
Power cable	2-5
Electrical specifications	2-6
Installation requirements for power supply	2-6
Fuses	2-6
Power consumption	2-6
Part 3: Pre-installation checklist	3-1

Part 1: Transportation

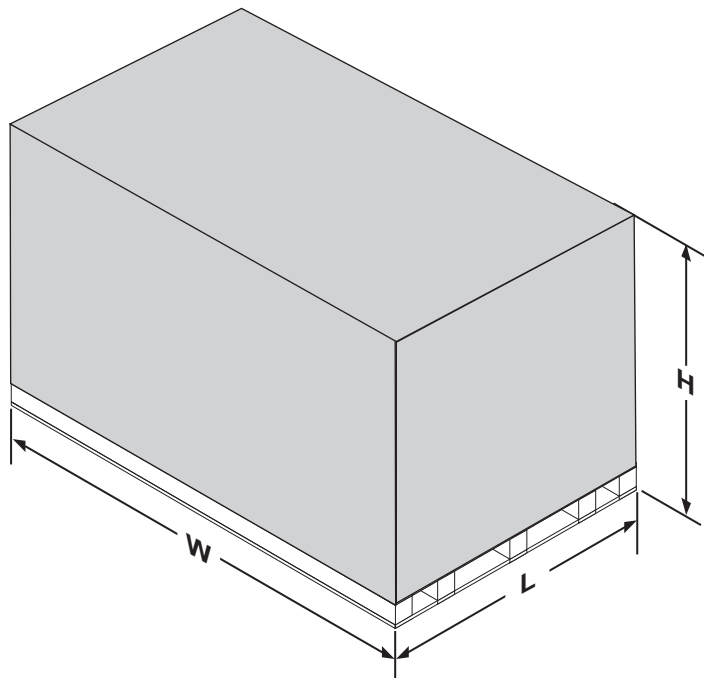
When the processor arrives

Storing the processor before installation

The crated processor will usually be delivered some time before the arrival of the service technician. In which case you should prepare an appropriate place indoors to store the crated processor.

The crate

Dimensions and weight



T31910

	86	125
Width (W)	164.5 cm (64.8")	203.5 cm (80.1")
Length (L)	156.5 cm (61.6")	156.5 cm (61.6")
Height (H)	142 cm (55.9")	142 cm (55.9")
Weight, crated (\pm 5%)	400 kg (880 lb)	453 kg (997 lb)
Weight, processor	312 kg (688 lb)	340 kg (749.6 lb)

Checking the crate for damage

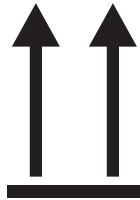
Check if the crate is damaged at the time of delivery. Take note of the damage before you allow the service technician to unpack the processor. Provide a detailed description or take a photograph of the damage.

i Note that there are shock and tilt watch indicators on the crate. Their serial numbers are listed in the box label of the crate too and therefore have to be identical.

i Report any damage to the crate to the transport company.

Handling the crate

The icons on the crate indicate how to handle the crate during transport and storage:



Ensure that the side indicated by the arrows is always up



Handle the crate with care.



Never expose the crate to water, or place it in a high-humidity area.



Do not stack the crates.

T31691

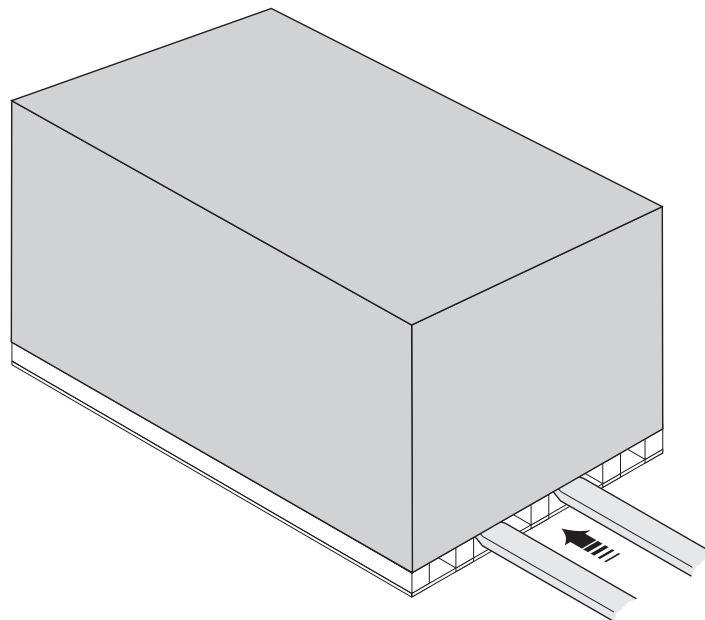
Transporting the processor

Lifting the crate

The processor is supplied wrapped in a foil in a cardboard crate on a wooden pallet or in a wooden crate. To lift the crate a fork-lift truck or two persons and a hand powered pallet mover are required.

i Please note that you can only insert the forks of the forklift truck or pallet mover from the side as illustrated below.

! The processor is very heavy equipment. It is possible to lift the processor off the pallet using a fork lift truck or a pallet mover.



Available width for transport

Depending on the width of the door(s) through which the processor has to be transported to the installation site, the service technician may have to perform the actions described in the table below:

If width of the door is...	Then...
> 159 cm (62.6")	No action is required as the crated processor can be transported immediately to the installation site.
125 - 159 cm (49.2 - 62.6")	The Service Technician has to unpack the processor.
< 125 cm (49.2")	The Service Technician has to unpack and strip down the processor.

Transport security items

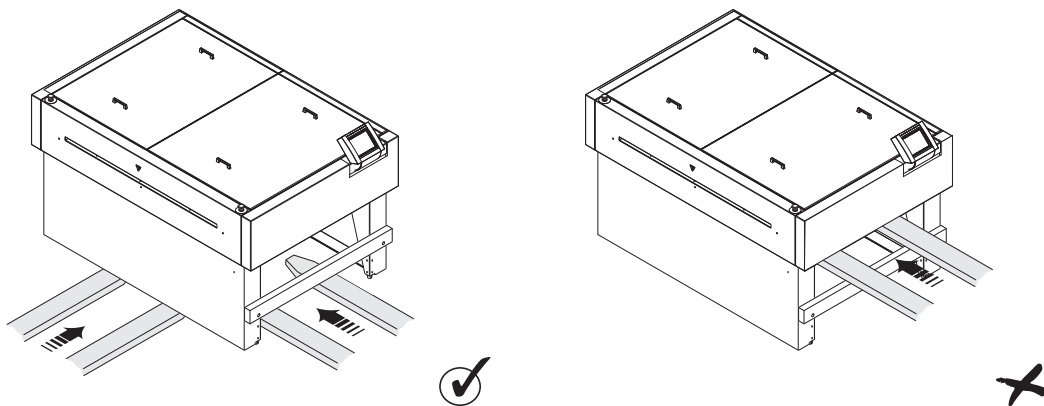
During transportation many of the parts outside and inside the processor have been secured using tape, plastic, strips, and various pieces of sponge rubber. Make sure to remove all items.

Lifting the processor off the pallet

Enter the forklift under the processor from either the **input** or **exit** end of the processor.

If the forklift is entered under the processor from the side, make sure that the forks are placed under the transport member and not under the processor stand rails (see illustration below).

 Carefull handling can prevent damage or accidents.



Moving the processor - after lifting the processor off the pallet

For moving the processor is the forklift no necessary required. It is possible to use the extended pallet mover or two standard pallet movers.

For Plate processors 86 is required pallet mover with lenght of forks 1350 mm minimum.

For Plate Processors 125 is required pallet mover with lenght of forks 1750 mm minimum.

If the pallet mover is entered under the processor from the side, make sure that the forks are placed under the transport member and not under the processor stand rails (see illustration above).

Part 2: Installation requirements



This processor must be installed in restricted access locations only.

Environmental requirements

Provide a heating and ventilating system capable of maintaining room temperature between 15 and 25°C (59 and 77°F) and relative humidity on max. 80%.
 For heat emission see "Power consumption" on the page 2-6.

Cleaning facilities

It is essential to have easy access to a sink and a water tap with hot water where rollers, guides, and brushes can be washed.

	Minimum recommended size of the sink
86	100 x 40 cm (39.4 x 15.8")
125	150 x 40 cm (59.6 x 15.8")

Necessary tools and software requirements

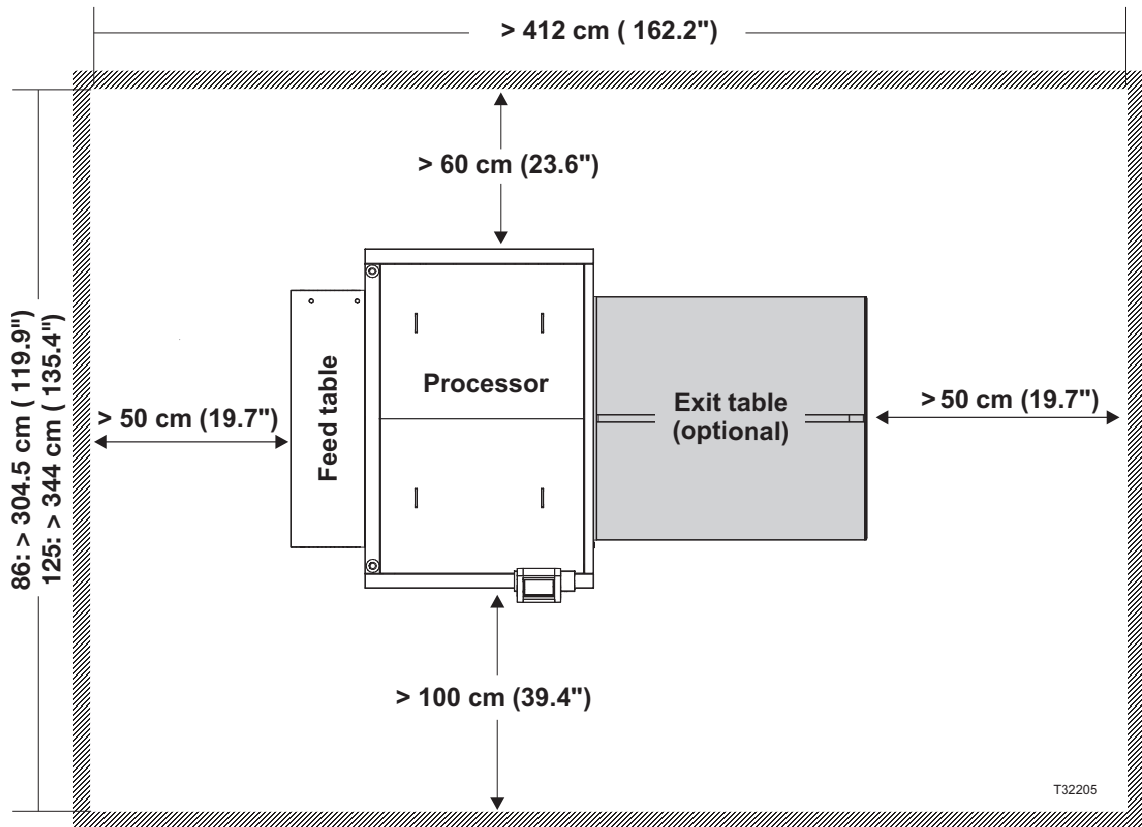
- The Remote Enabling System - standard at delivery of the processor.
- PC for online connection to the processor.
- Ethernet cable (G&J part number 10064789) delivered with the processor.

Space requirements

Free space around the machine

Decide where the processor shall be placed and make sure that the free space around the machine makes servicing possible.

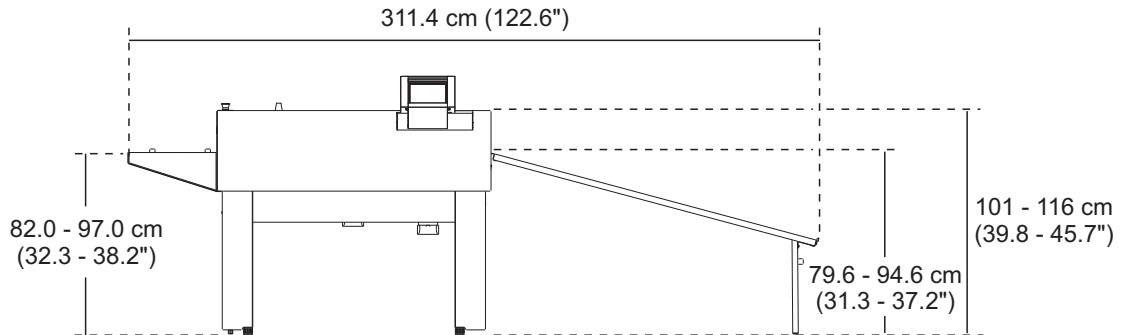
The recommended minimum free space around the machine is specified in the illustration below:



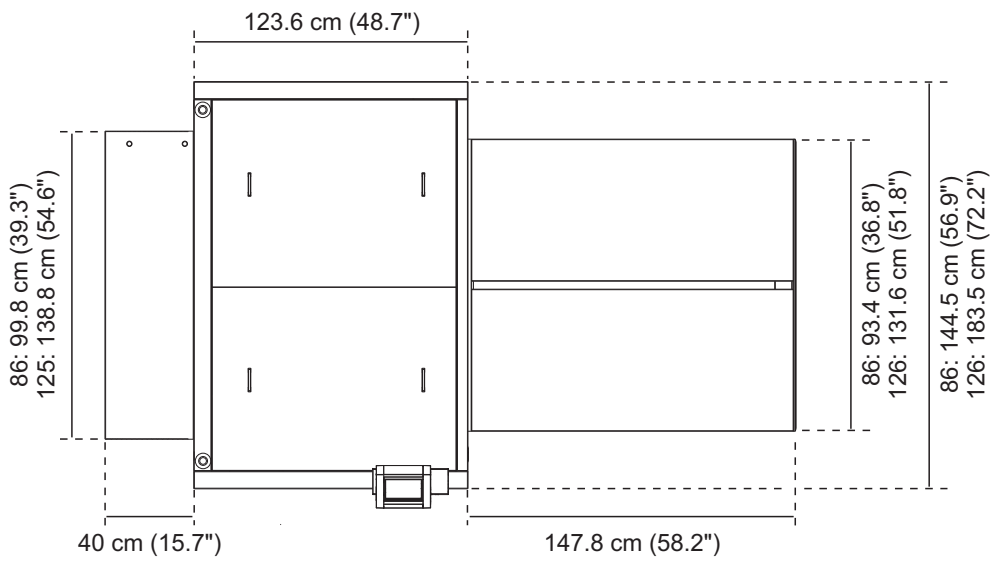
For CTP On-line processors the space requirements at the processor front has to be decided separately.

Processor dimensions

Side view

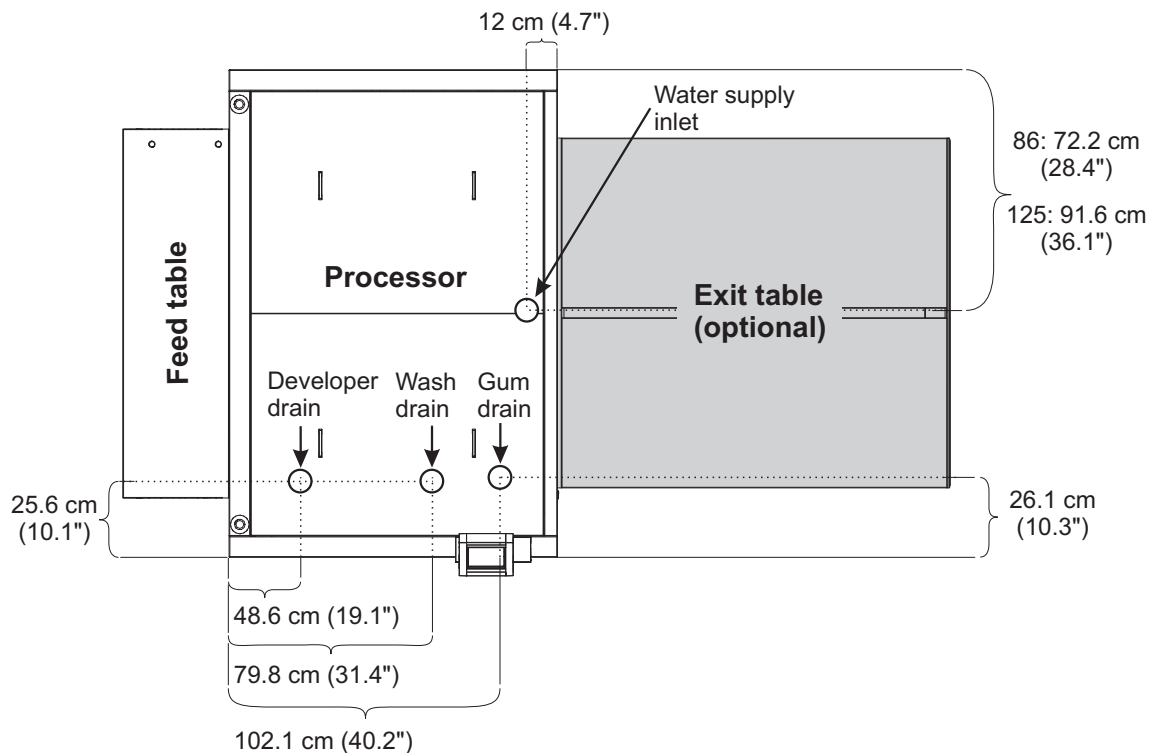


Top view



T31977

Water supply and drains



T32216

Prepare the installation site for water supply and drain connections according to the illustration above. Please also refer to the processor dimensions described earlier in this document.

Water supply

The water supply connection is located on the left front side underneath the processor. The supply water pressure must be min. **1 - 6 bar (15 - 87 psi)**.

Drains

- The developer drain must be led to a waste container.
- The wash drain can be led to public drain. Refer to the local regulations.
- The gum must be drained into a container and recirculated.



When establishing central reception systems for waste chemicals, copper or brass should not be used in the drainage system as the chemicals involved are highly corrosive. Therefore plastic or rubber is recommended. Check with the chemicals supplier for details.



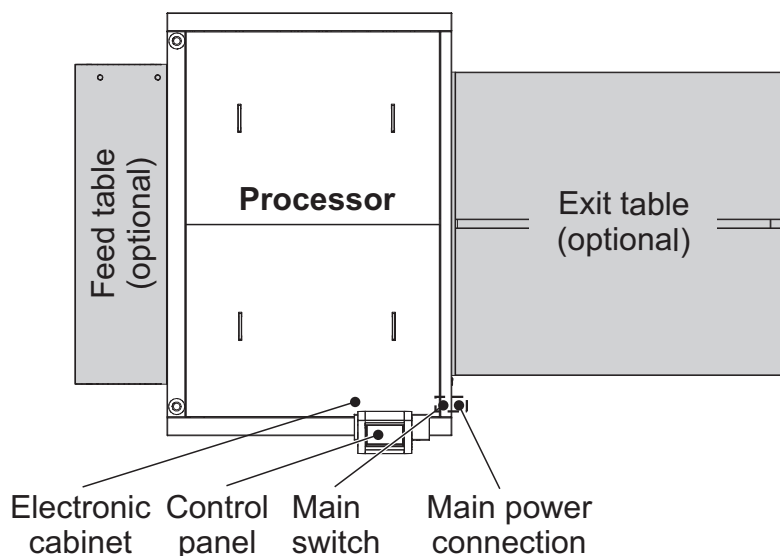
Many countries have strong regulations regarding disposal of waste. Refer to the local regulations when making preparations for drains.

Electrical requirements

 Electrical installation must conform to local regulations and guidelines.

Main power connection

The main power connection is made in the processor's plug located at the back of the right fender as shown in the illustration below.




T32217


Main power outlet

Provide a main power outlet close to the installation site. The table on the next page indicates the applicable power supply types and to which processor models they apply.

Power cable

The cable for the main power connection is included for some models only. See the power supply table on the next page. The table also shows recommended power supply cables for processors delivered without cable.

 When deciding what type of cable to use take into account the chemical resistance (chemicals may leak onto cable) and the mechanical resistance (operator may step onto cable).
The conductors in the power supply cable should be of copper.
Provide for additional cable protection, e.g. cable covers, if cable is exposed to heavier transport such as fork-lift trucks etc.

 The processor is Class 1 equipment. Therefore, the processor must be connected to earth to avoid electrical shocks.
Please be aware of double pole/neutral fusing.

Electrical specifications

Installation requirements for power supply



The requirements below are specifications for preparing the installation protection. It is important to prepare the fuses/circuit breakers with adequate capacity as specified here.



Specifications on the processor's name plate is the actual input current and will thus not be identical to below mentioned.

	Supply / fuse	Recommended cable type
EUR	Single Phase, 1W + N + PE 230V / 1 x 16 Amps, 50-60 Hz	Min. 3 x 1.5 m ² type H03VV-F
US	Single Phase, 2W + PE 230V / 2 x 20 Amps, 50-60 Hz	Min. 3 x 14 AWG type SJ or SJO
JAP	Single Phase, 2W + PE 200V / 2 x 15 Amps, 50-60 Hz	Min. 3 x 14 AWG type SJ or SJO
All	Voltage tolerance ±10%	

Fuses



The fuses must have a breaking capacity of min. 100kA.
If using automatic circuit breakers make sure that they are Type D.

Power consumption

	Power consumption at ...
EUR/ US	230 VAC operation: approx. 2.9 kWh (9,700 BTU/hour)
	Stand-by: approx. 0.2 kWh (700 BTU/hour)
	Power, maximum: 2.9 kWh (10,000 BTU/hour)

Part 3: Pre-installation checklist

Please ask the customer to answer the following questions in order to ensure a trouble-free installation of the processor:

- 1. Delivery of the crate and transport to the installation site** **YES** **NO**
- A. Is there a place indoor where the crated processor can be stored temporarily?
- B. Is there a hand-powered pallet mover, a fork-lift truck or any other lifting device available?
- C. Can the crate be transported directly to the installation site?
See minimum width specifications on page 1-3.
- D. Is it sufficient to unpack the processor before it is transported to the installation site? *See minimum width specifications on page 1-3.*
- E. Are there other factors (stairs, elevators, corners, obstacles, etc.) which should be taken into account when transporting the crate or processor?
- If so, explain:
-
-
-

2. Power supply

- A. Make a note of the present supply specifications:
- | | | | |
|---------------------|-------------------|---------------------|----------------------|
| No. of Phases | Voltage V | Fused by Amps | |
| Neutral Wire? | Earth Wire? | Frequency Hz | YES NO |
- B. Has a connection box been provided to connect the processor to the mains?
- C. Is the customer aware that he/she should provide (or order) all supplies (cables, fuses, etc.) necessary to connect the processor to the mains?
- D. Is there a house electrician available?
- E. Are there any known problems in the building where the processor will be installed?
- If so, explain:
-
-
-
-

3. Water supply and drain	YES	NO
A. Capacity of air condition/ventilation adequate with regard to BTU/hour as specified on page 2-6?	<input type="checkbox"/>	<input type="checkbox"/>
B. Can a hose 3/4"RG-11.5NH or 3/4"x3/4" be connected to the water supply tap?	<input type="checkbox"/>	<input type="checkbox"/>
C. Is there a large sink (with hot water) for cleaning the equipment?	<input type="checkbox"/>	<input type="checkbox"/>
D. Will the processor be connected to a local waste treatment system?	<input type="checkbox"/>	<input type="checkbox"/>
E. Is the tap water temperature adjustable? (If recommended by plate supplier).	<input type="checkbox"/>	<input type="checkbox"/>
F. Does the supply water pressure lie between 1 and 6 bar (15 and 87 psi)?	<input type="checkbox"/>	<input type="checkbox"/>
G. Availability of warm water for cleaning of processor?	<input type="checkbox"/>	<input type="checkbox"/>

4. Disposition of the various supplies and equipment on the installation site:

