

Pre-installation Manual



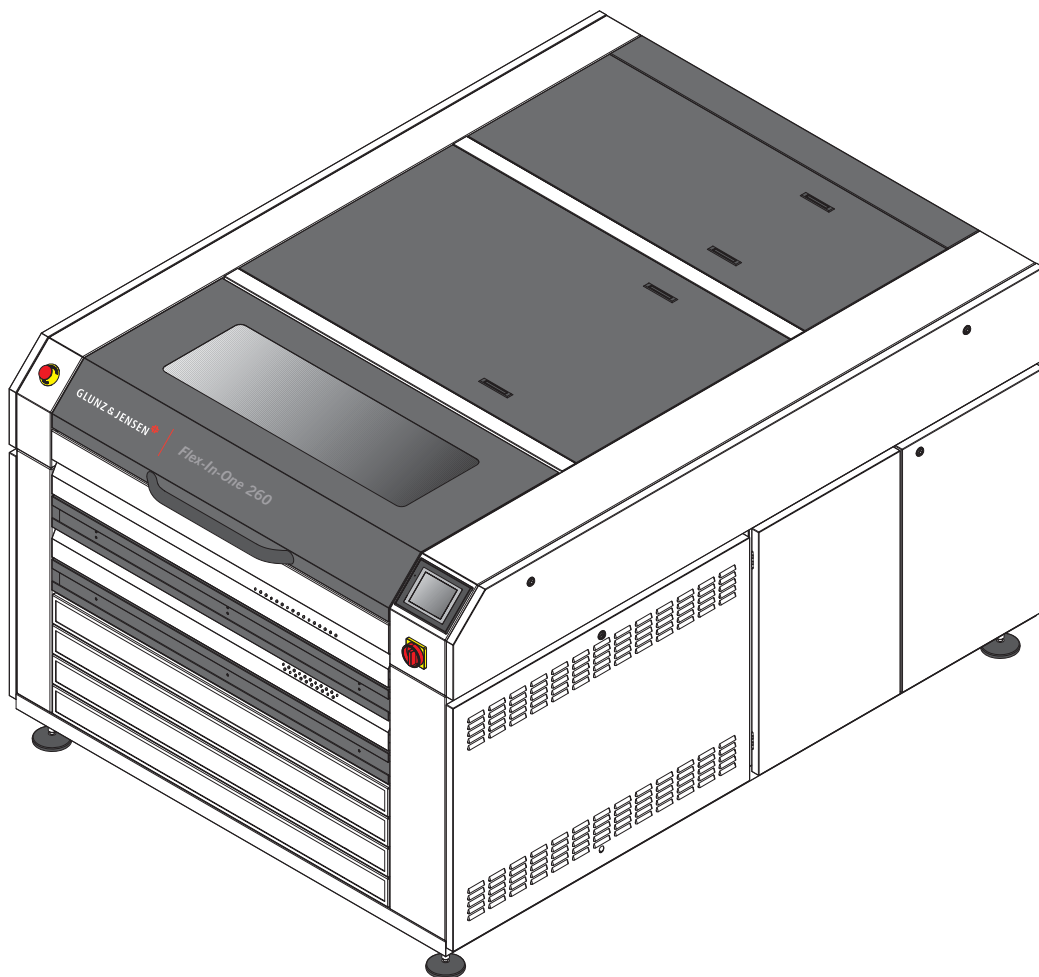
Flex-In-One 260

GLUNZ & JENSEN 

GLUNZ & JENSEN

Pre-installation Manual

Flex-In-One 260



T11376

Edition AA, December 2015
This book has part No 10082662

This manual is published by: **Glunz & Jensen S.p.A.**
Via Alessandro Volta 28
20088 – Rosate (MI) – ITALY
Tel.: +39 02 900 90 180 – Fax: +39 02 900 90 149
Internet: www.degraf.glunz-jensen.com

Copyright © 2015 by Glunz & Jensen S.p.A.

Part 0: Introduction

Reservations

- This manual was written and illustrated using the best possible information available at the time of publication.
- Any differences between this manual and the equipment reflect improvements introduced after the publication of the manual.
- Changes, technical inaccuracies and typographic errors will be corrected in subsequent editions.
- As a part of our policy of continuous improvement, we reserve the right to alter design and specifications without further notice.

Pre-installation instructions

The instructions in this Pre-installation Manual allow the customer and the Service Technician to prepare the installation site for the equipment and for the installation itself.

- Never install the equipment in explosive environments.
- It is the responsibility of the owner and operator/s of the equipment that the installation is made in accordance with local regulations, and by engineers authorized to carry out plumbing and electrical installations.
- The manufacturer cannot be held responsible for any damage caused by incorrect installation of the equipment.



Only qualified Service Technicians are allowed to unpack and install the equipment.



When preparing the installation site please take into consideration that this equipment is for restricted access locations only!

Notes, cautions, and warnings !

Throughout the manual warnings, cautions, and notes are written in bold like the example below:



Electrical installation must conform to local regulations and guidelines.

Symbol	Meaning	Explanation
	Note	The operator should observe and/or act according to the information in order to obtain the best possible function of the equipment.
	Caution	The operator must observe and/or act according to the information in order to avoid any mechanical or electrical damage to the equipment.
	Warning	The operator must observe and/or act according to the information in order to avoid any personal injury.

Table of contents

Part 0: Introduction	0-3
Reservations	0-3
Pre-installation instructions	0-3
Notes, cautions, and warnings !	0-3
Part 1: Transportation	1-1
When the equipment arrives	1-1
Storing the equipment before installation	1-1
The crate	1-1
Dimensions and weight.	1-1
Checking the crate for damage.	1-2
Handling the crate	1-2
Transporting the equipment	1-3
Lifting the crate	1-3
Available width for transport	1-3
Part 2: Installation requirements	2-1
Environmental requirements	2-1
Accessories to be provided by customer for connections	2-1
Installation kit	2-1
Space requirements	2-2
Free space around the equipment	2-2
Equipment dimensions and connection locations	2-3
Electrical requirements	2-5
Main power connection.	2-5
Main power outlet	2-5
Power supply cable	2-5
Electrical specifications.	2-6
Fuses	2-6
Power consumption	2-6
Part 3: Pre-installation checklist	3-1

Part 1: Transportation

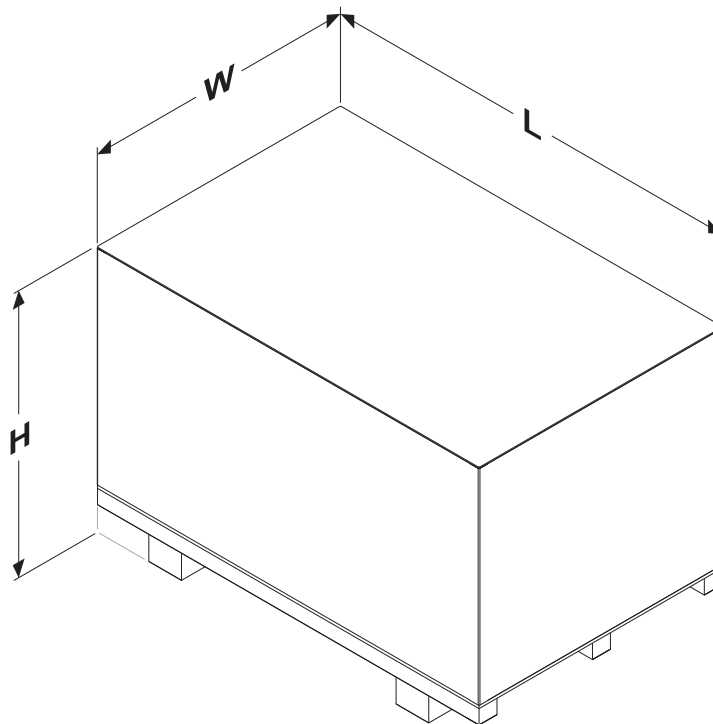
When the equipment arrives

Storing the equipment before installation

The crated equipment will usually be delivered some time before the arrival of the Service Technician. In which case you should prepare an appropriate place indoors to store the crated equipment.

The crate

Dimensions and weight



T32977

Width (W)	1870 mm (73.6")
Length (L)	2470 mm (97.2")
Height (H)	1550 mm (61")
Weight, crated (\pm 5%)	approx. 1260 kg (2778 lb)
Weight, equipment	approx. 1000 kg (2205 lb)

Checking the crate for damage

Check if the crate is damaged at the time of delivery. Take note of the damage before you allow the Service Technician to unpack the equipment. Provide a detailed description or take a photograph of the damage.



Report any damage to the crate to the transport company.

Handling the crate

The icons on the crate indicate how to handle the crate during transport and storage:



Ensure that the side indicated by the arrows is always up



Handle the crate with care.



Never expose the crate to water, or place it in a high-humidity area.



Do not stack the crates.

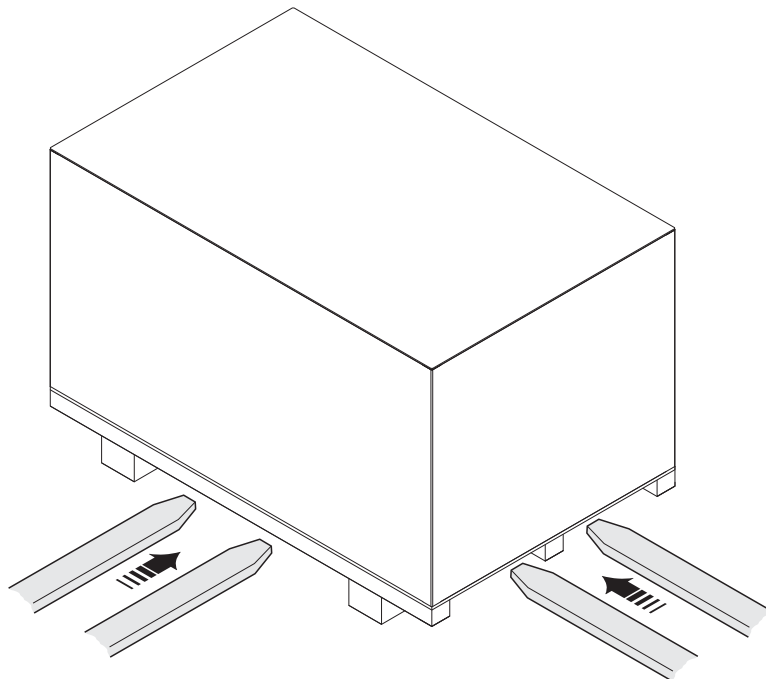


Do not tilt the crate.

Transporting the equipment

Lifting the crate

The equipment is supplied in a wooden crate. The equipment is very heavy equipment. To lift the crate a fork-lift truck is required.



T32327

Available width for transport

Depending on the width of the door(s) through which the equipment has to be transported to the installation site, the Service Technician may have to perform the actions described in the table below:

If width of the door is...	Then...
> 1920 mm	No action is required as the crated equipment can be transported immediately to the installation site.
1920 - 1720 mm	The Service Technician has to unpack the equipment.

Part 2: Installation requirements



This equipment must be installed in restricted access locations only.



Check the delivery route to the installation location for necessary clearance and remove all obstructions.

Environmental requirements

Provide a heating and ventilation system capable of maintaining room temperature between 17 and 28°C (63 and 82°F) and relative humidity on max. 80%.
For heat emission see "Power consumption" on the page 2-5.

Installation kit

The installation kit is included with the equipment. It comprise all parts necessary to make the installation. See the Service Manual for installation part list.

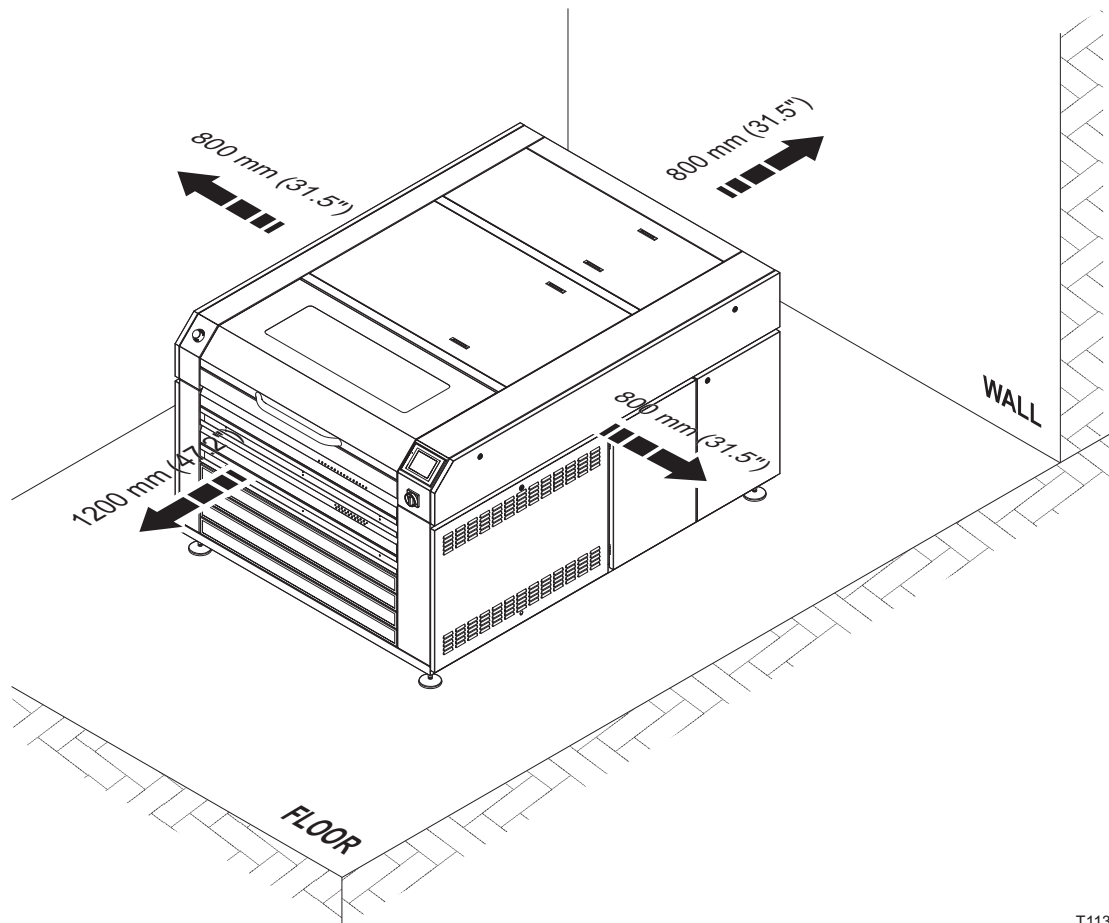
Space requirements

Free space around the equipment

Decide where the equipment shall be placed and make sure that the free space around the equipment makes servicing and work possible.

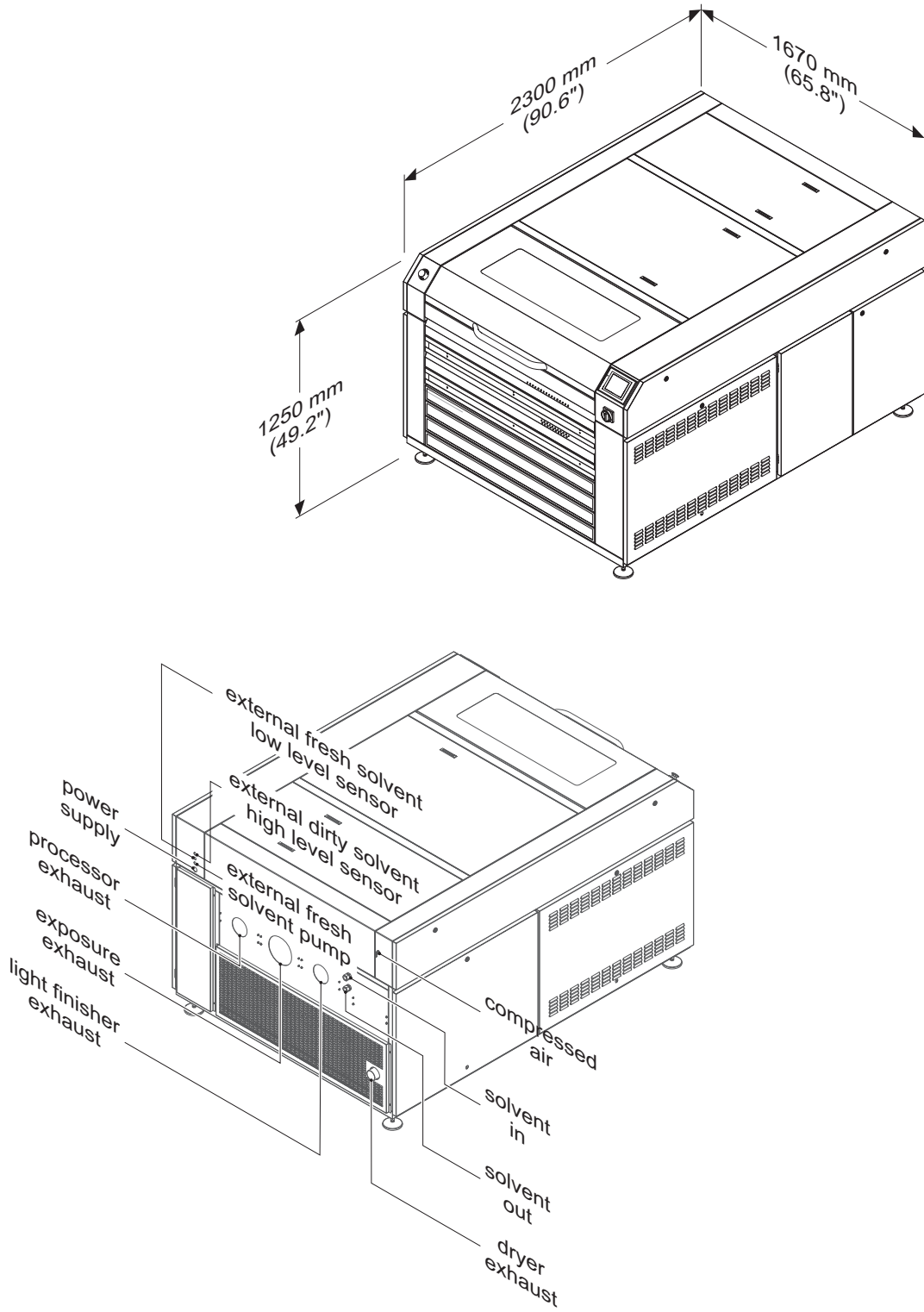
The recommended minimum free space around the equipment is:

- 1200 mm (47.2") in front of the equipment,
- 800 mm (31.5") on the sides and at the back of the equipment.



T11377

Equipment dimensions and connection locations



T11378

Compressed air supply

The compressed air supply pressure must be min. **6 bar (87 psi)** and max. **10 bar (145 psi)**.

Solvent connection

If the solvent barrels are more than 5 meters from the processor and the piping is lifted higher than the solvent tanks, it is recommended to mount a nonreturn valve at the barrels to prevent backlash of solvent/air in the hoses during process.

In case of need to turn off the solvent supply to the processor, it is recommended to install handvalves in the end of the solvent installation.



Never lead solvent out - hose into a drain, as most solvents are strong pollutants. It is also illegal to empty these types of chemicals into the public sewer system.

Under all circumstances local regulations applying to the treatment of (chemical) waste must be followed strictly.

Exhaust

Processor and dryer exhausts must be connected to the appropriate location (directly to the outside or to the building exhaust installation).

Light finisher exhaust must be connected to the separate location.

Exposure exhaust does not need any connection and may blow directly to the room.



Exposure exhaust can be loud and can introduce warm air into air conditioned room.

Make sure that the airflow is correct and minimum exhaust capacity is according to the table below:

Dryer, min.	100 m ³ /h
Light finisher, min.	400 m ³ /h
Processor, min.	400 m ³ /h

Electrical requirements

 Electrical installation must conform to local regulations and guidelines.

Main power outlet

Provide a main power outlet close to the installation site. The table on the next page indicates the applicable power supply types.

Power supply cable

The power supply cable (5 m) is delivered with the equipment. The power supply table on the next page shows recommended power supply cable for equipment.

 Provide for additional cable protection, e.g. cable covers, if cable is exposed to heavier transport such as fork-lift trucks etc.

 The equipment is Class 1 equipment. Therefore, the equipment must be connected to earth to avoid electrical shocks.

Electrical specifications

Installation requirements for power supply

	Supply/fuse	Recommended cable type
EUR	3W + N + PE, 400 VAC 3 x 15 Amps, 50-60 Hz	Min. 5 x 2.5 mm ² type H07RN-F (as delivered)
US	3W + PE, 230 VAC 3 x 23 Amps, 50-60 Hz	Min. 4 x 10 AWG, UL62 listed type S, SJ, SJO or SJT (as delivered)
All	Voltage tolerance ± 10%	

Fuses

 The fuses must have a breaking capacity of min. 100kA.
If using automatic circuit breakers make sure that they are Type D.

Power consumption

	Power consumption at ...	
All	230/400 VAC operation	10,000 W

Part 3: Pre-installation checklist

Please ask the customer to answer the following questions in order to ensure a trouble-free installation of the equipment. Send this completed pre-installation checklist to your regional service coordinator.

1. Delivery of the crate and transport to the installation site	YES	NO
A. Is there a place indoor where the crated equipment can be stored temporarily?	<input type="checkbox"/>	<input type="checkbox"/>
B. Is there a fork-lift truck or any other lifting device available?	<input type="checkbox"/>	<input type="checkbox"/>
C. Can the crate be transported directly to the installation site? <i>See minimum width specifications on page 1-3.</i>	<input type="checkbox"/>	<input type="checkbox"/>
D. Is it sufficient to unpack the equipment before it is transported to the installation site? <i>See minimum width specifications on page 1-3.</i>	<input type="checkbox"/>	<input type="checkbox"/>
E. Are there other factors (stairs, elevators, corners, obstacles, etc.) which should be taken into account when transporting the crate or equipment?	<input type="checkbox"/>	<input type="checkbox"/>
If so, explain:		
.....		
.....		
.....		

2. Power supply	YES	NO
A. Make a note of the present supply specifications: No. of Phases Voltage V Fused by Amps Neutral Wire? Earth Wire? Frequency Hz		
B. Has a connection box been provided to connect the equipment to the mains?	<input type="checkbox"/>	<input type="checkbox"/>
C. Is the customer aware that he/she should provide (or order) all supplies (cables, hoses, etc.) necessary to connect the equipment to the mains?	<input type="checkbox"/>	<input type="checkbox"/>
D. Is there a house electrician available?	<input type="checkbox"/>	<input type="checkbox"/>
E. Are there any known problems in the building where the equipment will be installed?	<input type="checkbox"/>	<input type="checkbox"/>
If so, explain:		
.....		
.....		
.....		
.....		

3. Connections

YES NO

- A. Capacity of air condition/ventilation adequate with regard to power consumption as specified on pages 2-1 and 2-5? YES NO
- B. Is there a compressed air supply available? YES NO
- C. Can a hose (ø6) be connected to the compressed air supply? YES NO
- D. Is the supply air pressure 6 - 10 bar (87 - 145 psi)? YES NO
- E. Is there an exhaust system available? YES NO
- F. Can hoses (ø60 and ø100) be connected to the exhaust system? YES NO
- G. Is there a solvent installation available (ø20)? YES NO
- H. Availability of warm water for cleaning purposes? YES NO

4. Comments and questions

.....

.....

.....

.....

5. Disposition of the various supplies and equipment on the installation site

A large rectangular area filled with a fine grid pattern, intended for drawing or detailed notes regarding the disposition of supplies and equipment on the installation site.