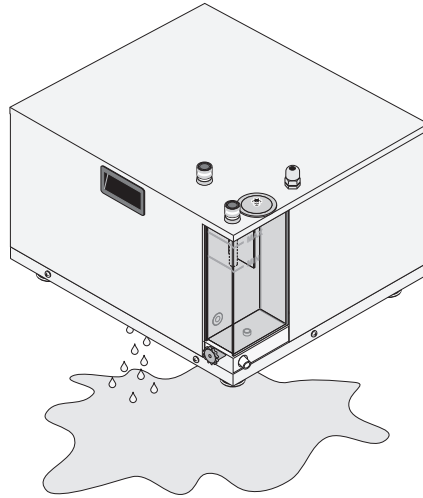


# User's Manual

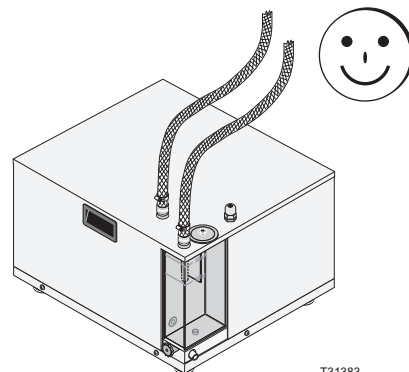
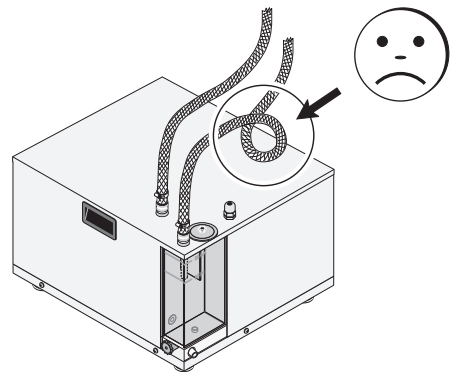


CHILLER  
KA 134A-2 HD



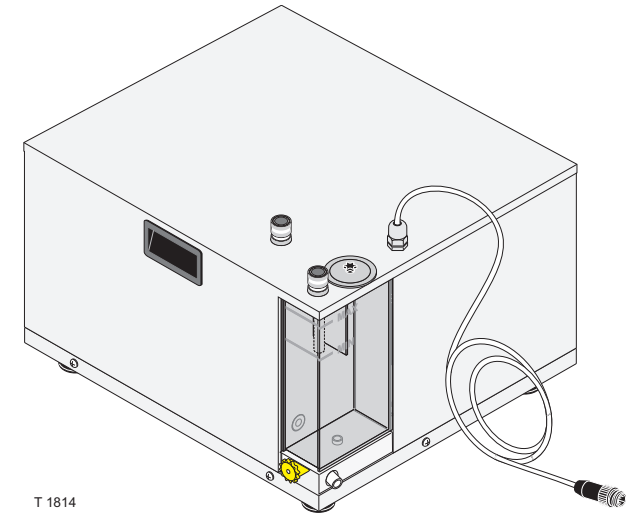


T31382



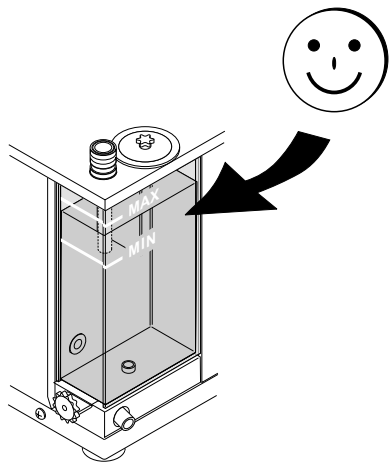
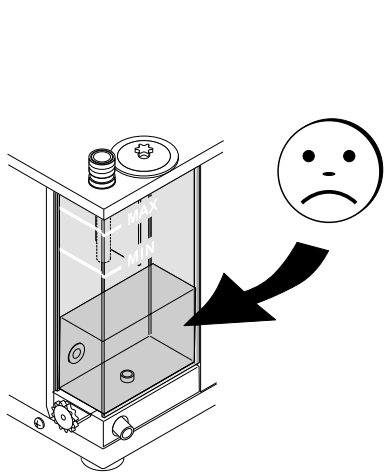
T31383

# CHILLER KA 134A-2 HD

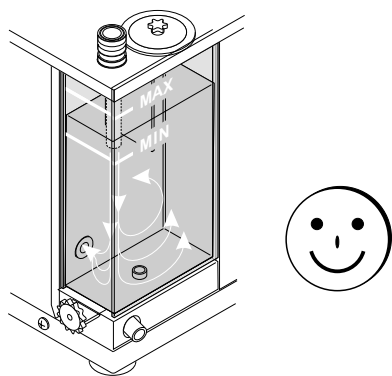
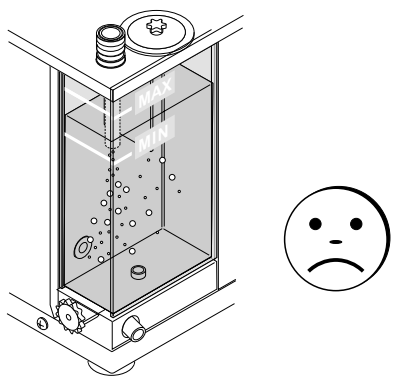
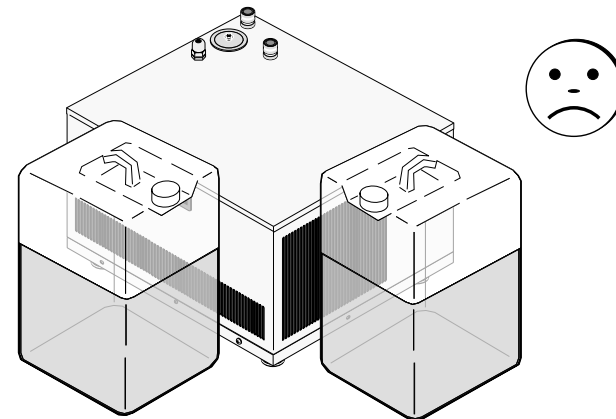


T 1814

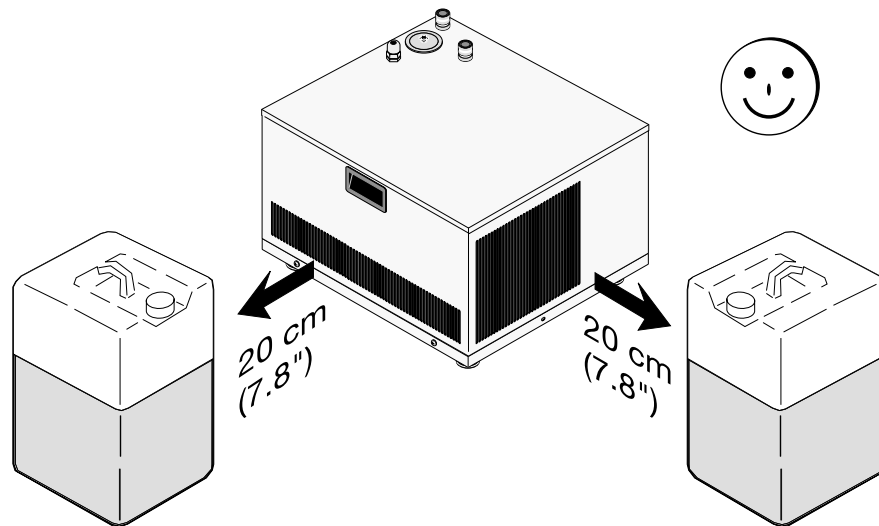
This manual is for daily users of the equipment. Always read the **Safety Instruction Manual part No 21741** before starting up the equipment. Keep the manuals with the equipment for reference at all times.



T31369



T31380



T31381