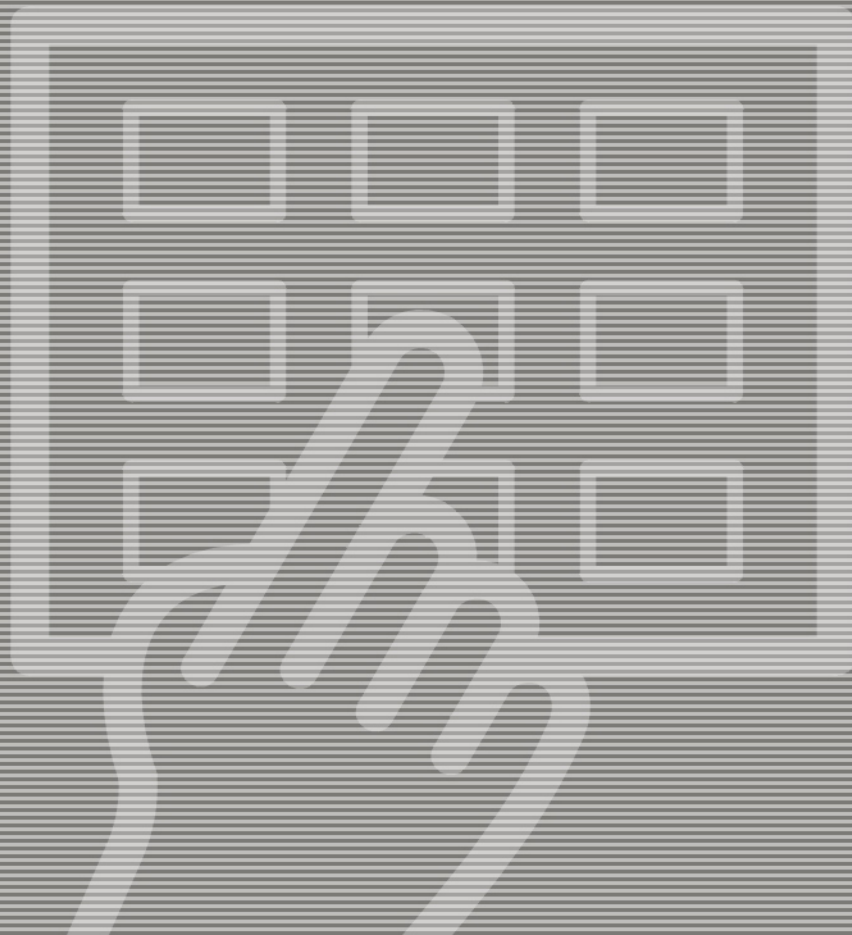


User's Manual



VLF Plate Stacker

VLF Plate Stacker



Edition AB November 2007
This book has part no 51283-GB

GENERAL INFORMATION

This manual is for daily users of the equipment. Always read *the Safety Instruction Manual part No 21741* before starting up the equipment and keep it with the machine for reference at all times.

This manual is published by: **GLUNZ & JENSEN A/S**
Haslevvej 13,
DK-4100 Ringsted
Denmark
Phone: +45 57 68 81 81
E-mail: gjhq@glunz-jensen.com
Internet: www.glunz-jensen.com

Copyright © 2007 by Glunz & Jensen A/S

The manual was written and illustrated using the best possible information available at the time of publication.

Any differences between the manual and the equipment reflect improvements introduced after the publication of the manual.

Changes, technical inaccuracies, and typographic errors will be corrected in subsequent editions.

As a part of our policy of continuous improvement, we reserve the right to alter design and specifications without further notice.

WARNINGS, CAUTIONS AND NOTES!

Throughout the manual warnings, cautions, and notes are written in italics on a grey background like the example below:

CAUTION! Make sure that

EXPLANATION

NOTE!

The operator should observe and/or act according to the information in order to obtain the best possible function of the equipment.

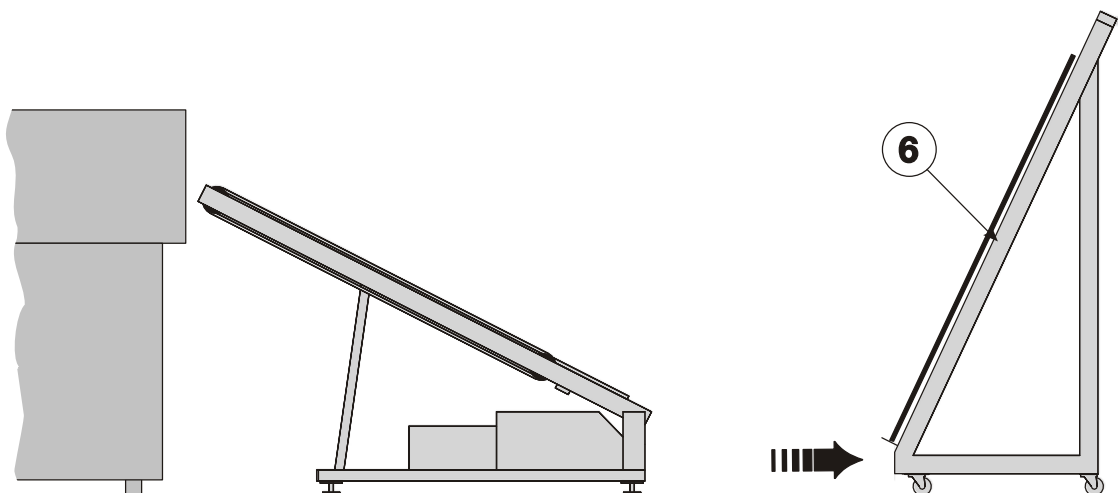
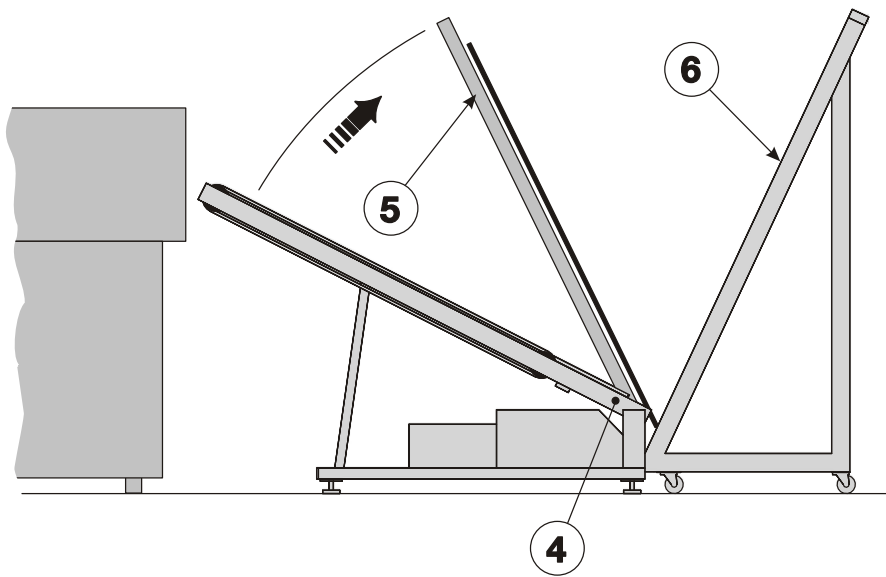
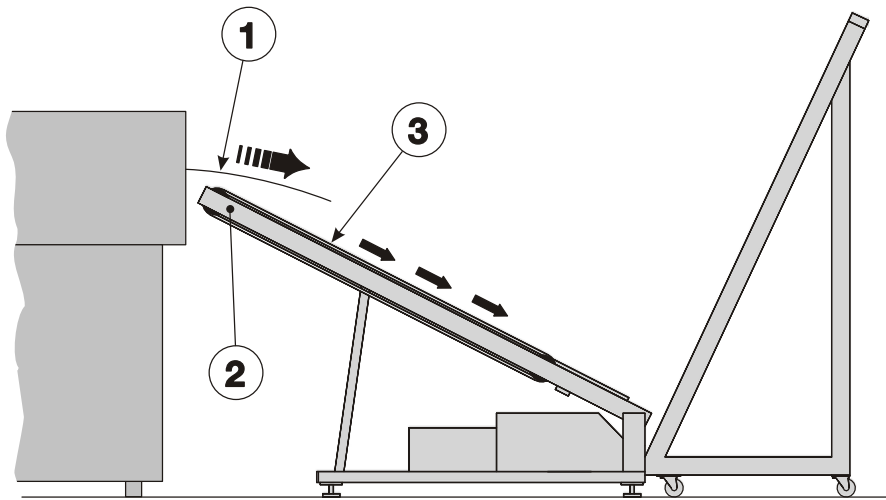
CAUTION!

The operator must observe and/or act according to the information in order to avoid any mechanical or electrical damage to the equipment.

WARNING!

The operator must observe/and or act according to the information in order to avoid any personnel injury.

VLF PLATE STACKER



FUNCTIONAL DESCRIPTION

(See illustration opposite).

The stacker is positioned at the plate exit of the processor.

When a plate **(1)** exits the processor and covers the top sensor **(2)** the conveyor belts **(3)** start to run.

When the plate covers the lower sensor **(4)** the conveyor belts **(3)** will stop, and the tipping frame **(5)** will operate and deposit the plate onto the trolley **(6)**. After depositing the plate the tipping frame **(5)** returns to its starting position.

When necessary the trolley **(6)** can be released from the stacker to transport the processed plates to other locations.

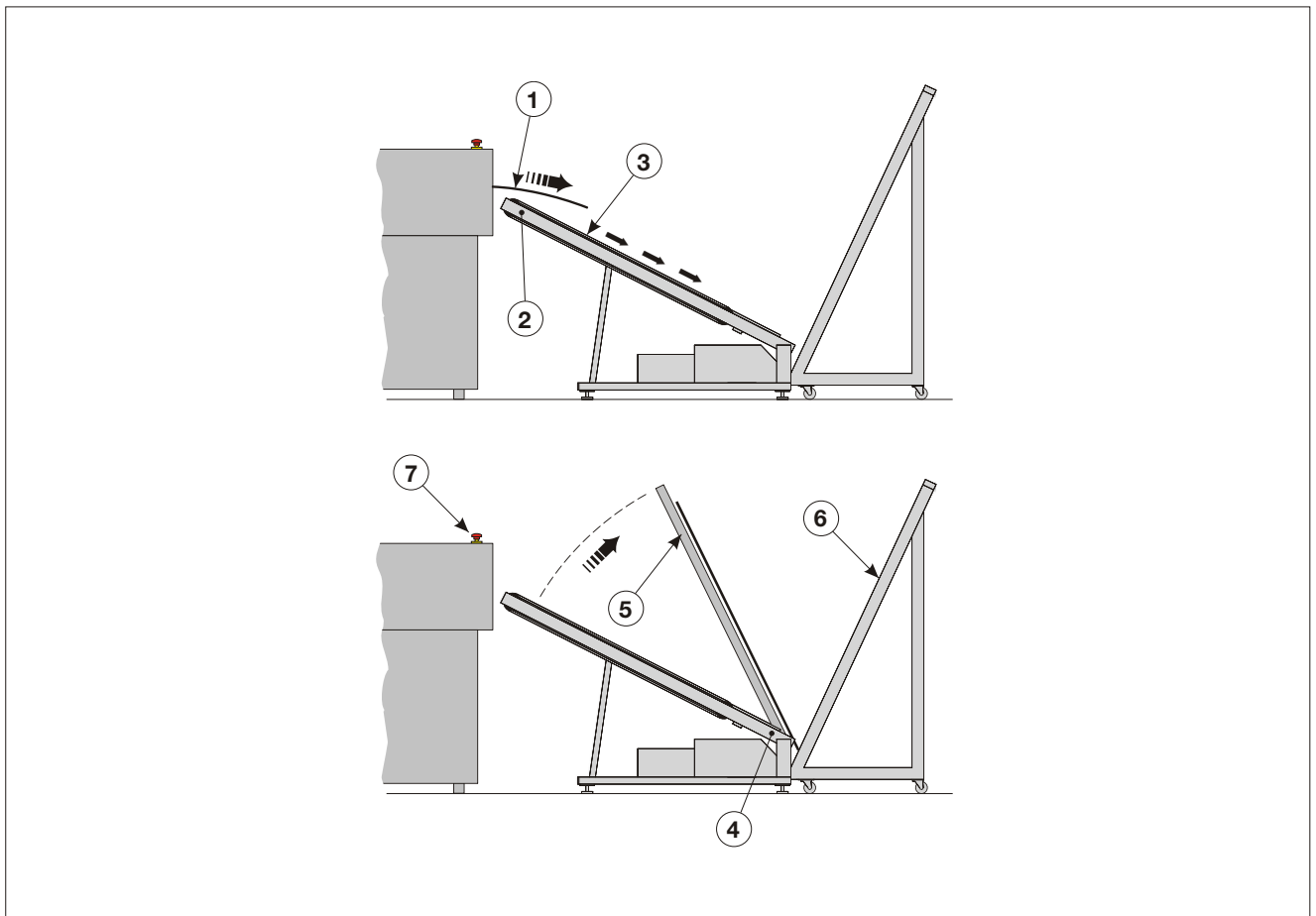
VLf PLATE STACKER

INITIAL START-UP

(See illustration below).

NOTE! Make sure that the processor is ready to process.

- Run a plate through the processor.
- When the plate (1) exits and covers the top sensor (2) verify the the conveyor (3) starts and that all belts operate.
- As the plate covers the lower sensor (4) the tipping frame (5) should operate. Verify that the frame travels through the required arc, and the plate is deposited evenly onto the trolley (6).
- After depositing the plate the tipping frame should return flush to the conveyor, this action should be smooth.
- If the stacker is powered from the processor make another run and before the sequence is complete operate the processor's emergency stop button (7) and check that both the processor and stacker stop. Reset the button.



VLf PLATE STACKER

SETTINGS AND ADJUSTMENTS

(See illustrations below).

CONVEYOR SPEED

The speed of the conveyor should match the speed of the processor.

Adjust the conveyor speed on the control knob **(1)** located on the left hand side of the electrical enclosure.

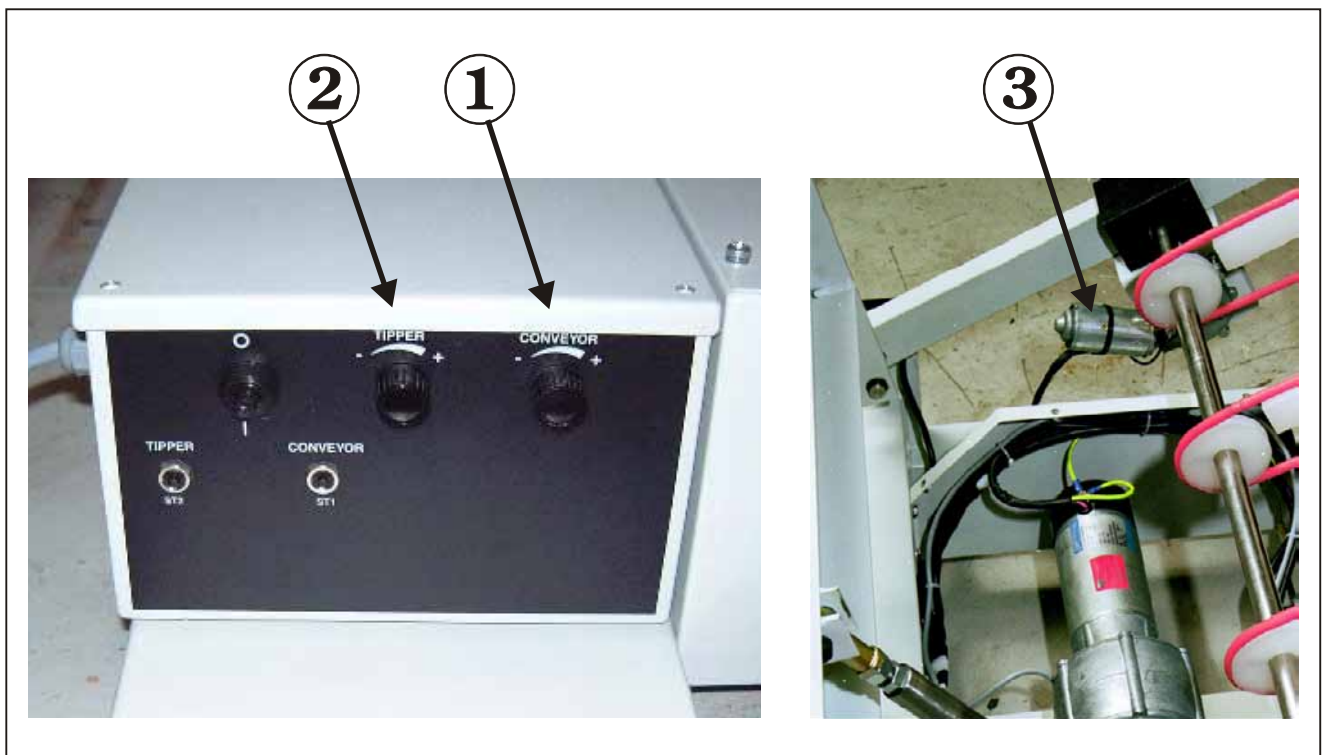
TIPPING FRAME SPEED

The speed of the tipping frame can be varied to suit the plate frequency.

Adjust the tipping frame speed on the control knob **(2)** located on the left hand side of the electrical enclosure.

CHAIN ADJUSTMENT

If necessary adjust chain slackness by adjusting the motor **(3)** on it's mountings.



VLf PLATE STACKER

CLEANING AND MAINTENANCE

GENERAL

The unit is fully automatic and minimal operator intervention is required.

Following the directions in this manual will ensure that your equipment will operate efficiently.

CAUTION! *Cleaning components with anything other than a mild detergent or a recommended processor cleaning agent may cause irreversible damage and invalidate any warranty.*

CAUTION! *Never use hard tools or abrasive materials when cleaning any part of the equipment.*

WARNING! *Always unplug the unit from the processor's power outlet or the mains supply before carrying out any cleaning or maintenance procedures etc.*

CLEANING

Use a moist, lint-free cloth to clean the stacker surfaces and conveyor belts on a weekly basis.

MAINTENANCE

DRIVE CHAIN

- Never let the drive chain dry out. Lubricate with oil to SAE 20/50 as required.
- Do not allow the drive chain to become slack. See "SETTINGS AND ADJUSTMENTS" for tightening procedure.

TROLLEY CASTORS

Lubricate when necessary.

