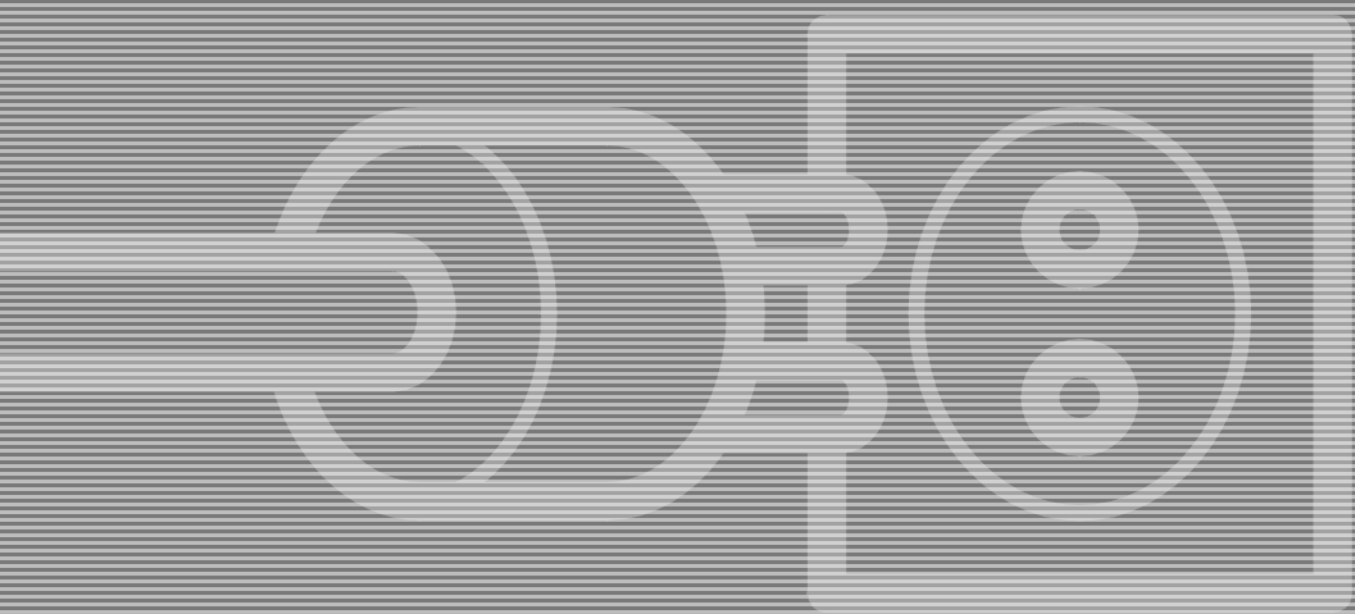


# Pre-installation Manual



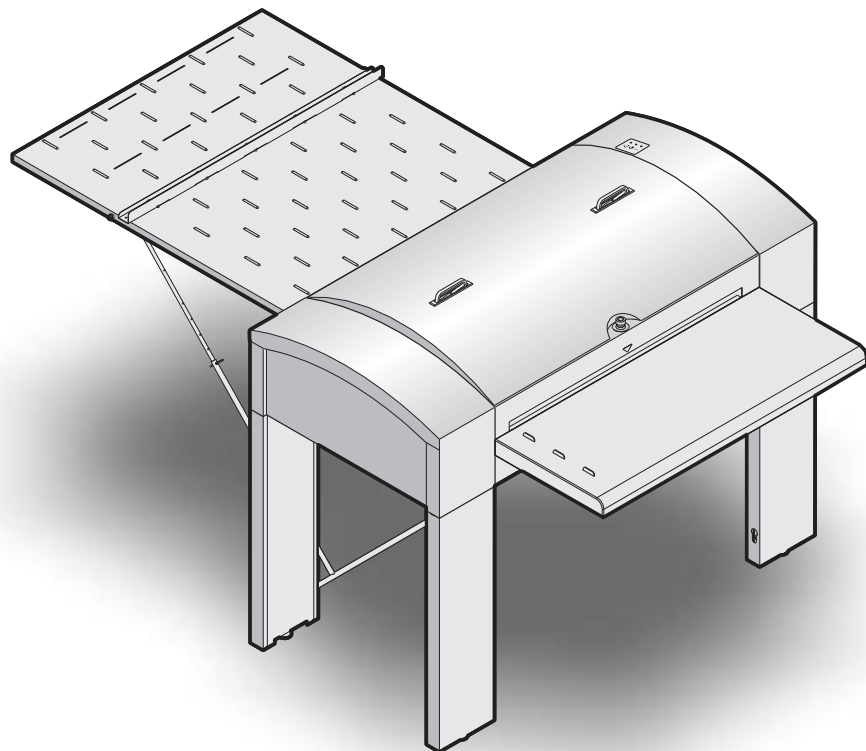
Cleaning Unit  
CP 85 / CP 120



# Pre-Installation Manual

---

## C85 / C120 Cleaning Unit



Edition AA, May 2007  
Part No 51391

# Part 0: Introduction

## Cleaning Unit Models

This guide covers the following cleaning unit types:  
**Cleaning Unit for Chemistry-free Plates.**

## Warnings, Cautions and Notes!

Throughout the manual warnings, cautions, and notes are written in bold on a grey background like the example below:



**CAUTION! Always replace a fuse with one of the same size and rating as the old one.**

### Explanation:

Symbol	Meaning	Explanation
	<b>Note</b>	The operator should observe and/or act according to the information in order to obtain the best possible function of the equipment.
	<b>Caution</b>	The operator must observe and/or act according to the information in order to avoid any mechanical or electrical damage to the equipment.
	<b>Warning</b>	The operator must observe and/or act according to the information in order to avoid any personnel injury.

## Pre-Installation Instructions

The instructions in this Pre-Installation Guide allow the customer and the Service Technician to prepare the installation of the cleaning unit.



**CAUTION! Only qualified Service Technicians are allowed to unpack and install the cleaning unit.**

This manual is published by: **GLUNZ & JENSEN A/S**  
 Haslevvej 13,  
 DK-4100 Ringsted  
 Denmark  
 Phone:+45 57 68 81 81  
 E-mail: gjhq@glunz-jensen.com  
 Internet: www.glunz-jensen.com

# Table of Contents

<b>Part 0: Introduction</b> . . . . .	<b>0.2</b>
Cleaning Unit Models . . . . .	0.2
Warnings, Cautions and Notes! . . . . .	0.2
Explanation: . . . . .	0.2
Pre-Installation Instructions . . . . .	0.2
<b>Part 1: Transportation</b> . . . . .	<b>1.1</b>
When the Cleaning Unit Arrives . . . . .	1.1
Storing the Cleaning Unit before Installation . . . . .	1.1
The Crate . . . . .	1.1
Checking for Damage . . . . .	1.2
Handling the Crate . . . . .	1.2
Transporting the Cleaning Unit . . . . .	1.3
Lifting the Crate . . . . .	1.3
Available Width for Transport . . . . .	1.3
<b>Part 2: Installation Requirements</b> . . . . .	<b>2.1</b>
General Requirements . . . . .	2.1
Environmental Requirements . . . . .	2.1
Cleaning Facilities . . . . .	2.1
Space Requirements . . . . .	2.2
Free Space around the Machine . . . . .	2.2
Cleaning Unit Dimensions . . . . .	2.3
Supply and Drains . . . . .	2.4
Main Power Connection . . . . .	2.4
Drains . . . . .	2.4
Main Power Outlet . . . . .	2.5
<b>Part 3: Pre-Installation Checklist</b> . . . . .	<b>3.1</b>

# Part 1: Transportation

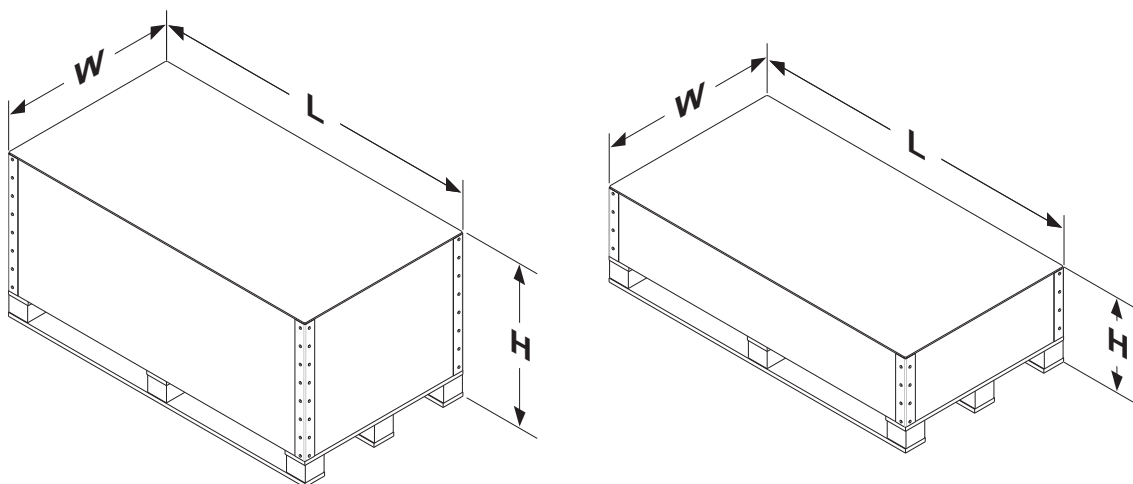
## When the Cleaning Unit Arrives

### Storing the Cleaning Unit before Installation

The crated cleaning unit will usually be delivered some time before the arrival of the Service Technician. In such a case you should prepare an appropriate place indoors to store the crated cleaning unit.

### The Crate

Below are the dimensions and weight of the crated cleaning unit:



### Checking for Damage

Processor Type	Basis C85	Kit C85	Basis C120	Kit C120
Length (L)	1500 mm (59.05")	1500 (59.05")	1850 mm (72.83")	1850 (72.83")
Width (W)	800 mm (31.5")	800 (31.5")	800 mm (31.5")	800 (31.5")
Height (H)	718 mm (28.2")	418 (16.5")	718 mm (28.2")	418 (16.5")
Weight, incl. processor w. kit	232 kg (511 lbs)		274 (604 lbs)	

Check if the crate is damaged at the time of delivery.  
 Report any damage to the crate to the transport company.  
 Take note of the damage before you allow the Service Technician to unpack the cleaning unit. Provide a detailed description or take a photograph of the damage.

## Handling the Crate

The icons on the crate indicate how to handle the crate during transport and storage:



Ensure that the side indicated by the arrows is always up.



Handle the crate with care.



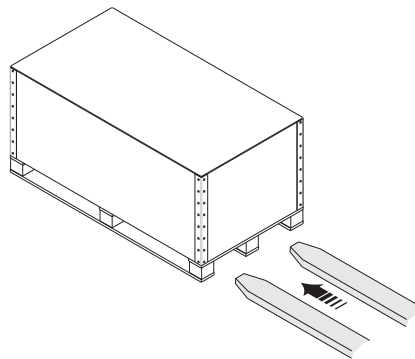
Never expose the crate to water, or place it in a high-humidity area.

## Transporting the Cleaning Unit

### Lifting the Crate

To lift the crate, at least a fork-lift truck or two persons and a hand powered pallet mover are required.

**i** **NOTE!** It is only possible to insert the forks of the fork-lift truck or pallet mover from the side as illustrated below.



### Available Width for Transport

Depending of the width of the door(s) through which the cleaning unit has to be transported to the installation site, the Service Technician may have to perform the actions described in the table below:

If width of the door is...

C85/C120	Then...
> 800 mm (31.4")	No action is required as the crated cleaning unit can be transported immediately to the installation site.
< 800 mm (31.4")	The Service Technician has to unpack the cleaning unit.
< 700 mm (27.6")	The Service Technician has to unpack and strip down the cleaning unit.





# Part 2: Installation Requirements

## General Requirements

### Environmental Requirements

Provide a heating and ventilating system capable of maintaining room temperature between 15 and 25°C (59 and 77°F) and relative humidity on max. 80%.  
Heat emission from the cleaning unit is max. 10600 BTU.

### Cleaning Facilities

It is essential to have easy access to a sink and a water tap with hot water where rollers, guides, and brushes can be washed.

The minimum recommended size of the sink is:

**85 cm processors:** 100 x 40 cm (39.4 x 16")

**120 cm processors:** 140 x 40 cm (55.1 x 16")

## Space Requirements

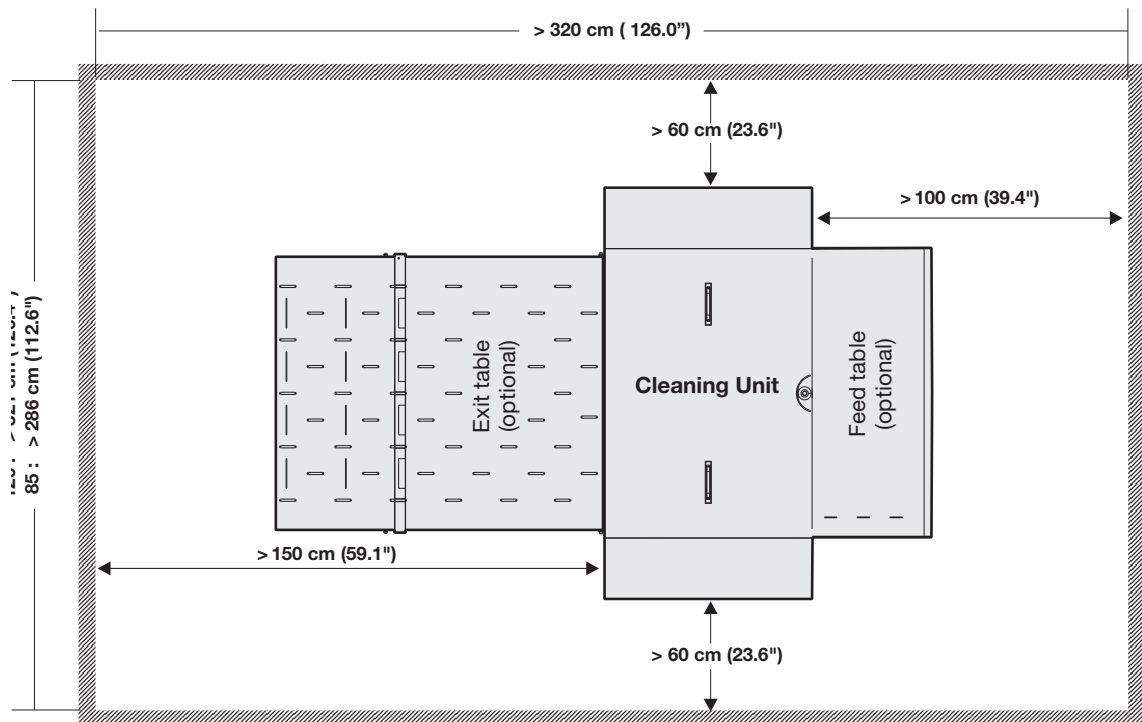
### Free Space around the Machine

Decide where the cleaning unit shall be placed and make sure that the free space around the machine makes servicing possible.

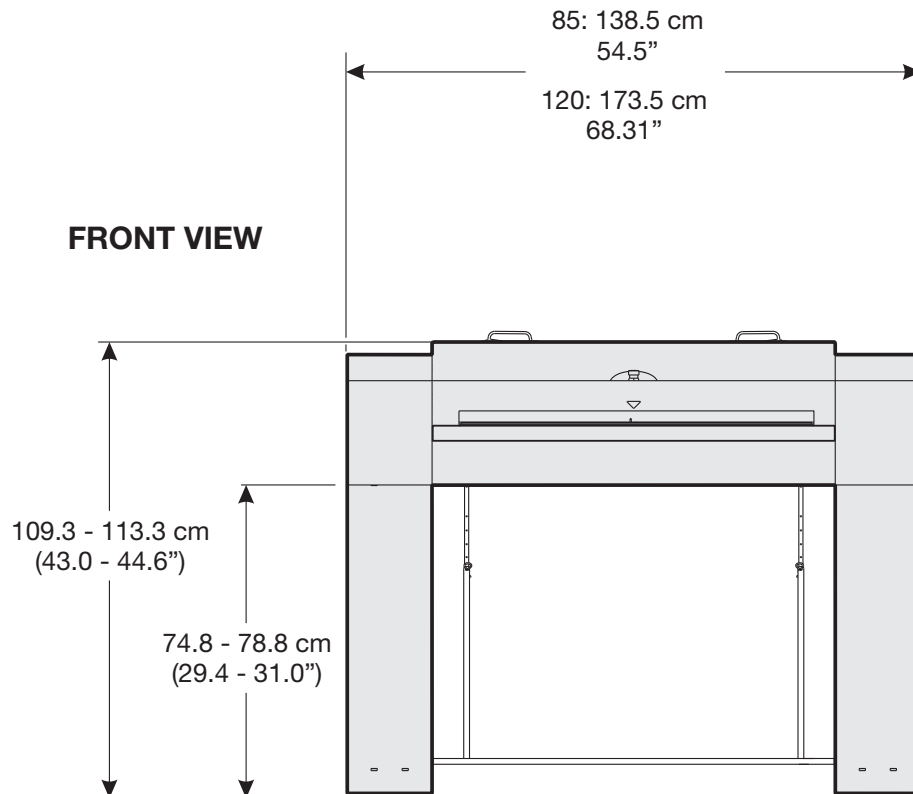
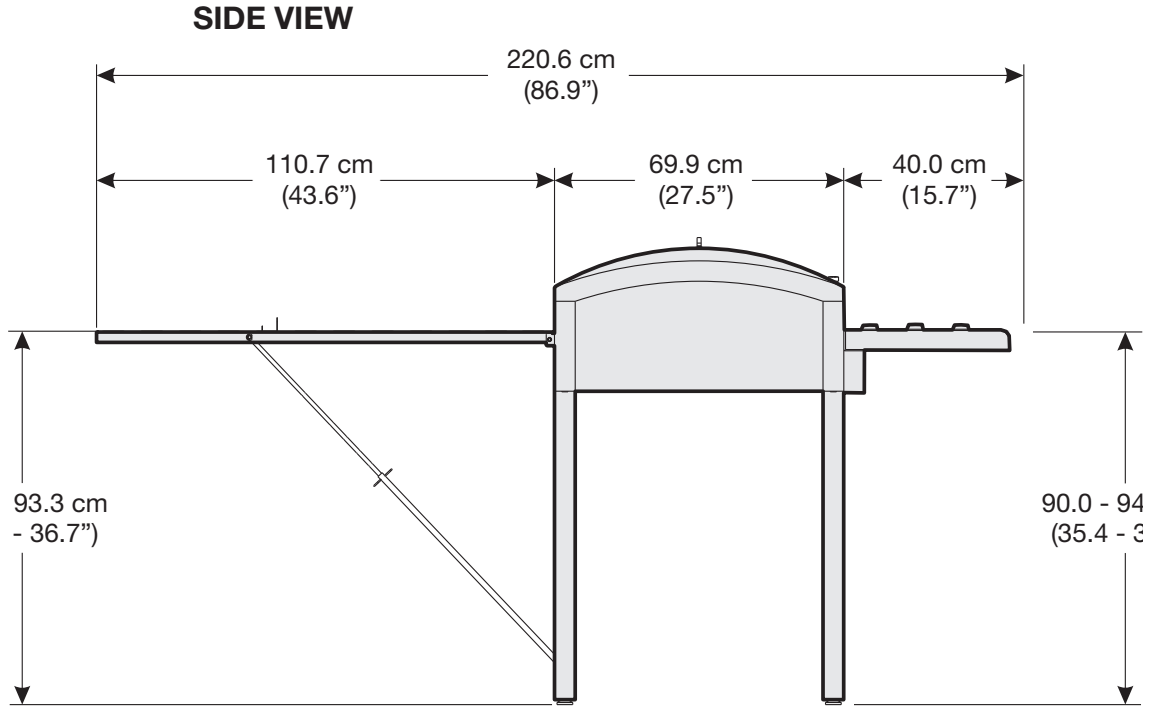
The recommended minimum free space around the machine is specified in the illustration below:



**NOTE!** For CTP On-line operation the space requirements at the front of the cleaning unit has to be decided separately.



### Cleaning Unit Dimensions



## Supply and Drains



**WARNING!** Electrical installation must conform to local regulations and guidelines.

### Main Power Connection

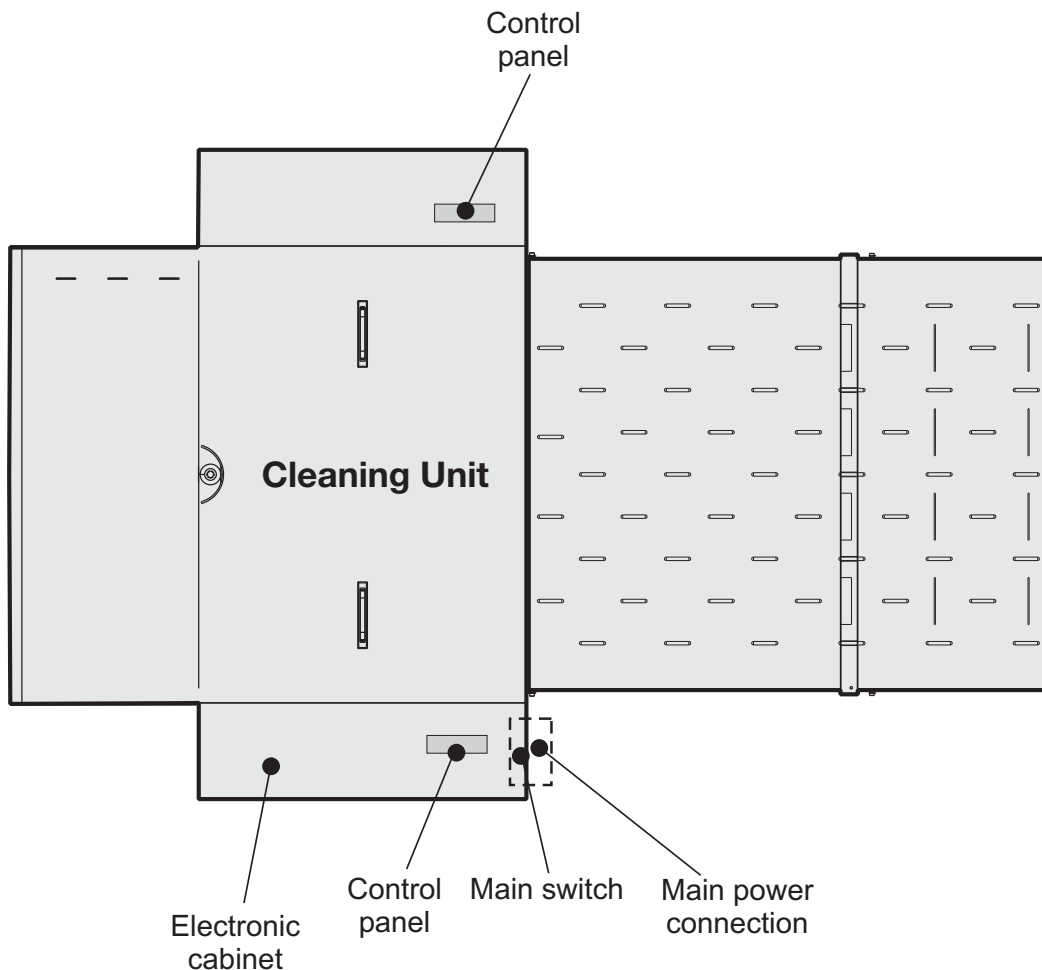
The main power connection must be made in the cleaning unit's plug located at the back of the right fender (see illustration below).

### Supplies

The cable for the main power connection is not delivered with the cleaning unit.

### Drains

- The gum is drained into a container and recirculated.



## Main Power Outlet

Provide a main power outlet close to the installation site. The table below indicates the applicable power supply types and to which cleaning unit models they apply. The table also shows recommended power supply cables:

Voltage tolerance : +/- 10%  
 Max. power cons. : 1900 Watts  
 Heat dissipation : 6500 BTU/hour



**WARNING! The Cleaning Unit is Class 1 equipment. Therefore, the Cleaning Unit must be connected to earth to avoid electrical shocks.**

	Supply/Fuse	Recom. cable type	C85	C120
EUR	Single Phase 230V / 1x10 Amps, 50-60 Hz	Min. 3 x 1.5 mm <sup>2</sup> , type H07 RNF	•	•
US	Single Phase, 2W + PE 230V / 2x10 Amps, 50-60 Hz	Min. 3 x 10 AWG, type SJO	•	•
JAP	Single Phase, 2W + PE 200V / 2x10 Amps, 50-60 Hz	Min. 3 x 10 AWG, type SJO	•	•

## Cables



**CAUTION** When deciding what type of cable to use take into account the chemical resistance (chemicals may leak onto cable) and the mechanical resistance (operator may step onto cable).

The conductors in the power supply cable should be of copper.

Provide for additional cable protection, e.g. cable covers, if cable is exposed to heavier transport such as fork-lift trucks etc.

## Fuses



**CAUTION!** The fuses must have a breaking capacity of min. 100kA.

If using automatic circuit breakers make sure that they are Type D.



# Part 3: Pre-Installation Checklist

Please ask the customer to answer the following questions in order to ensure a trouble-free installation of the cleaning unit:

**1. Delivery of the crate and transport to the installation site** **YES NO**

- A. Is there a place indoors where the packing box can be stored temporarily?
- B. Is there a hand-powered pallet mover, a fork-lift truck or any other lifting device available?
- C. Can the crate be transported directly to the installation site?  
*See minimum width specifications on page 7.*
- D. Is it sufficient to unpack the cleaning unit before it is transported to the installation site?  
*See minimum width specifications on page 7.*
- E. Are there other factors (stairs, elevators, corners, obstacles, etc.) which should be taken into account when transporting the crate or cleaning unit?    
If so, explain: .....  
.....  
.....  
.....

**2. Power supply**

- A. Make a note of the present supply specifications:  

No. of Phases .....	Voltage ..... V	Fused by ..... Amps	
Neutral Wire? .....	Earth Wire? .....	Frequency ..... Hz	<b>YES NO</b>
- B. Has a connection box been provided to connect the cleaning unit to the mains?
- C. Is the customer aware that he/she should provide (or order) all supplies (cables, fuses, etc.) necessary to connect the cleaning unit to the mains?
- D. Is there a house electrician available?
- E. Are there any known problems in the building where the cleaning unit will be installed?    
If so, explain: .....  
.....  
.....  
.....



**3. Water supply and drain****YES NO**

- A. Capacity of air condition/ventilation adequate with regard to BTU max. 10600?
- B. Is there a large sink (with hot water) for cleaning the equipment?
- C. Will the cleaning unit be connected to a local waste treatment system?
- D. Availability of warm water for cleaning of cleaning unit?

**4. Disposition of the various supplies and equipment on the installation site:**