

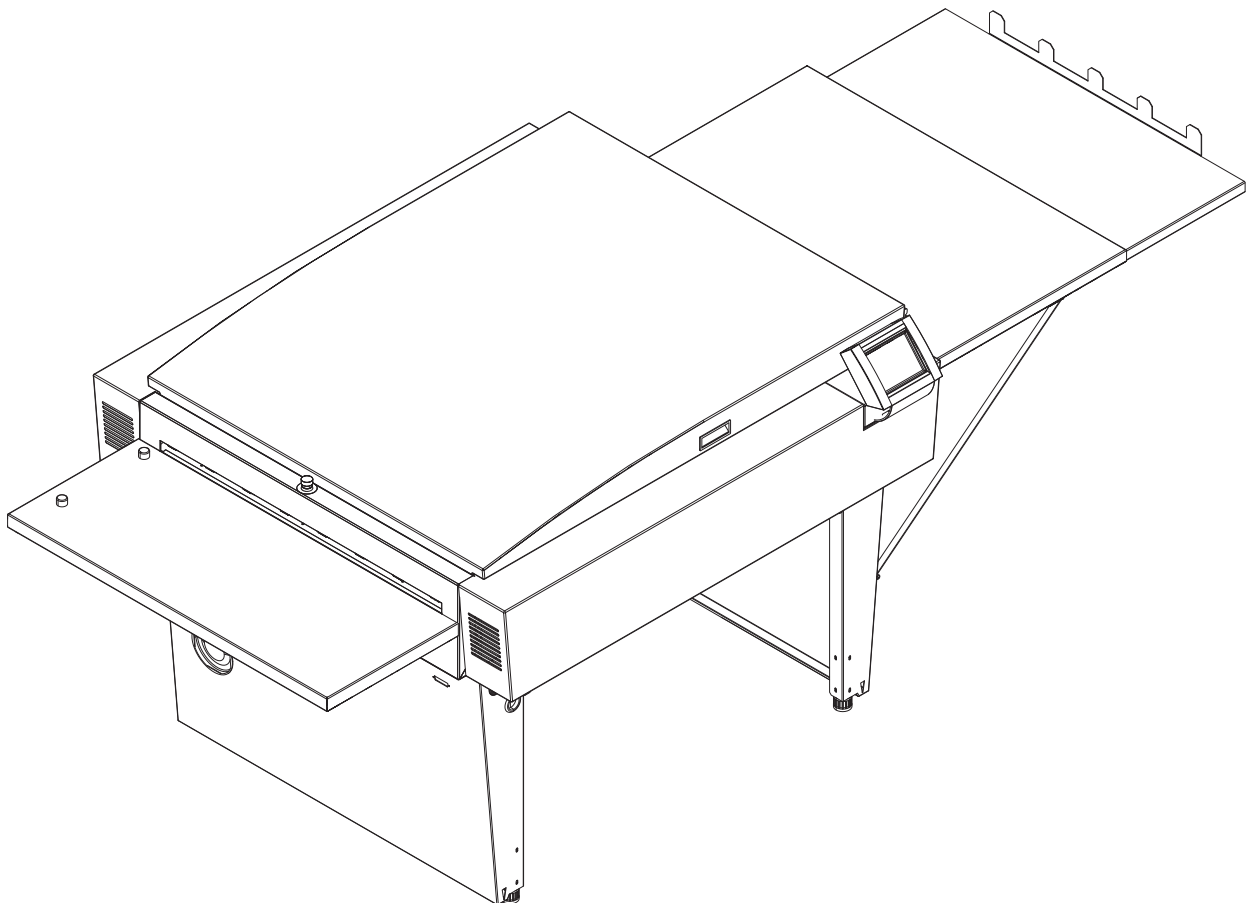
Pre-installation Manual



Chemfree Unit 85

Pre-installation Manual

Chemfree Unit 85



T11285

Edition AA, May 2013
This book has part no 10062573

This manual is published by: **GLUNZ & JENSEN A/S**
Selandia Park 1
DK-4100 Ringsted
Denmark
Phone: +45 5768-8181
E-mail: gjhq@glunz-jensen.com
Internet: www.glunz-jensen.com

Copyright © 2013 by GLUNZ & JENSEN A/S.

Part 0: Introduction

Reservations

- This manual was written and illustrated using the best possible information available at the time of publication.
- Any differences between this manual and the equipment reflect improvements introduced after the publication of the manual.
- Changes, technical inaccuracies and typographic errors will be corrected in subsequent editions.
- As a part of our policy of continuous improvement, we reserve the right to alter design and specifications without further notice.

Pre-installation instructions

The instructions in this Pre-installation Manual allow the customer and the service technician to prepare the installation site for the unit and for the installation itself.

- Never install the unit in explosive environments.
- It is the responsibility of the owner and operator/s of the unit that the installation is made in accordance with local regulations, and by engineers authorized to carry out plumbing and electrical installations.
- The manufacturer cannot be held responsible for any damage caused by incorrect installation of the unit.



Only qualified service technicians are allowed to unpack and install the equipment.



When preparing the installation site please take into consideration that this equipment is for restricted access locations only!



Please download the Service and User's Manuals from G&J home page www.glunz-jensen.com before the installation of the unit.

Notes, cautions, and warnings !

Throughout the manual warnings, cautions, and notes are written in bold like the example below:



Electrical installation must conform to local regulations and guidelines.




Symbol	Meaning	Explanation
	Note	The operator should observe and/or act according to the information in order to obtain the best possible function of the equipment.
	Caution	The operator must observe and/or act according to the information in order to avoid any mechanical or electrical damage to the equipment.
	Warning	The operator must observe and/or act according to the information in order to avoid any personal injury.

Table of contents

Part 0: Introduction	0-3
Reservations	0-3
Pre-installation instructions	0-3
Notes, cautions, and warnings !	0-4
Part 1: Transportation	1-1
When the unit arrives	1-1
Storing the unit before installation	1-1
The crate	1-1
Dimensions and weight	1-1
Checking the crate for damage	1-2
Handling the crate	1-2
Transporting the unit	1-3
Lifting the crate	1-3
Available width for transport	1-3
Part 2: Installation requirements	2-1
Environmental requirements	2-1
Cleaning facilities	2-1
Space requirements	2-2
Free space around the unit	2-2
Unit dimensions	2-3
Circulation connections	2-4
Drains	2-4
Electrical requirements	2-5
Main power connection	2-5
Main power outlet	2-5
Power cable	2-5
Electrical specifications	2-6
Installation requirements for power supply	2-6
Fuses	2-6
Power consumption	2-6
Part 3: Pre-installation check list	3-1

Part 1: Transportation

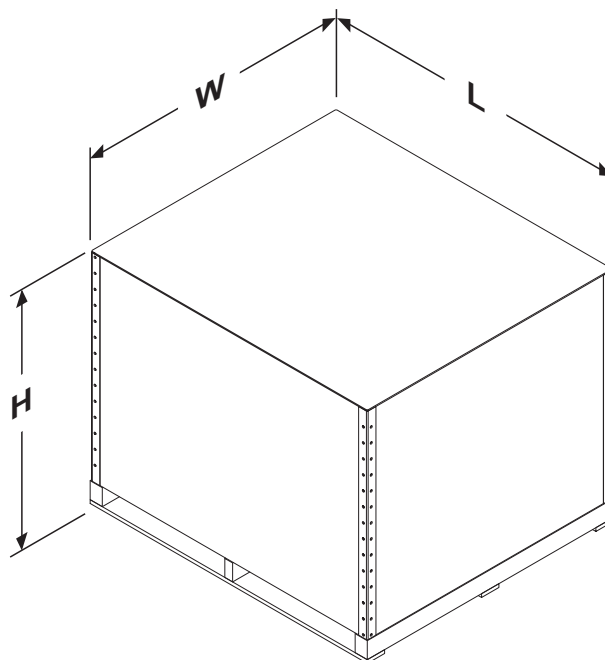
When the unit arrives

Storing the unit before installation

The crated unit will usually be delivered some time before the arrival of the service technician. In which case you should prepare an appropriate place indoors to store the crated unit.

The crate

Dimensions and weight



T320.39

Width (W)	142 cm (55.9")
Length (L)	160 cm (63")
Height (H)	126.3 cm (49.7")
Weight, crated (\pm 5%)	365 kg (805 lb)
Weight, without crate	255 kg (562 lb)

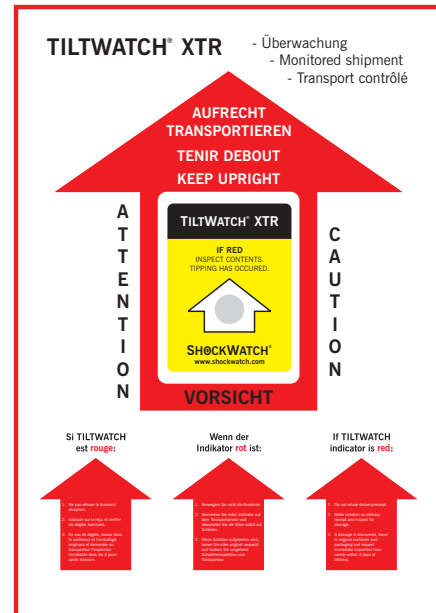
Checking the crate for damage

Check if the crate is damaged at the time of delivery. Take note of the damage before you allow the service technician to unpack the unit. Provide a detailed description or take a photograph of the damage.

i Note that there are shock and tilt watch indicators on the crate. Their serial numbers are listed in the box label of the crate too and therefore have to be identical.



T6249



i Report any damage to the crate to the transport company.

Handling the crate

The icons on the crate indicate how to handle the crate during transport and storage:



Ensure that the side indicated



Handle the crate with care.



Never expose the crate to water, or place it in a high-humidity area.

T31691

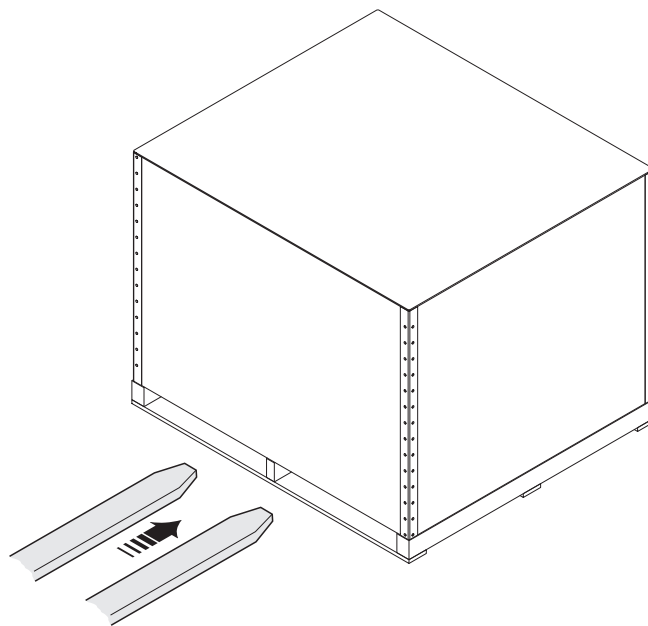
Transporting the unit

Lifting the crate

The unit is supplied in a wooden crate. To lift the crate a fork-lift truck or two persons and a hand powered pallet mover are required.



The unit is very heavy equipment. 4 people are needed for removing the unit from the pallet. The unit will be delivered with two pipe bars for lifting it off the pallet. It is not possible to lift the unit off the pallet using a fork lift truck or a pallet mover.



T32040

Available width for transport

Depending on the width of the door(s) through which the unit has to be transported to the installation site, the service technician may have to perform the actions described in the table below:

If width of the door is...	Then...
> 162 cm	No action is required as the crated unit can be transported immediately to the installation site.
136 - 162 cm	The service technician has to unpack the unit.
< 136 cm	The service technician has to unpack and strip down the unit.

Part 2: Installation requirements



This unit must be installed in restricted access locations only.

Environmental requirements

Provide a heating and ventilating system capable of maintaining room temperature between 15 and 25°C (59 and 77°F) and relative humidity of max. 80%.

For heat emission see “Power consumption” on the page 2-6.

Cleaning facilities

It is essential to have easy access to a sink and a water tap with hot water where rollers, guides, and brushes can be washed.

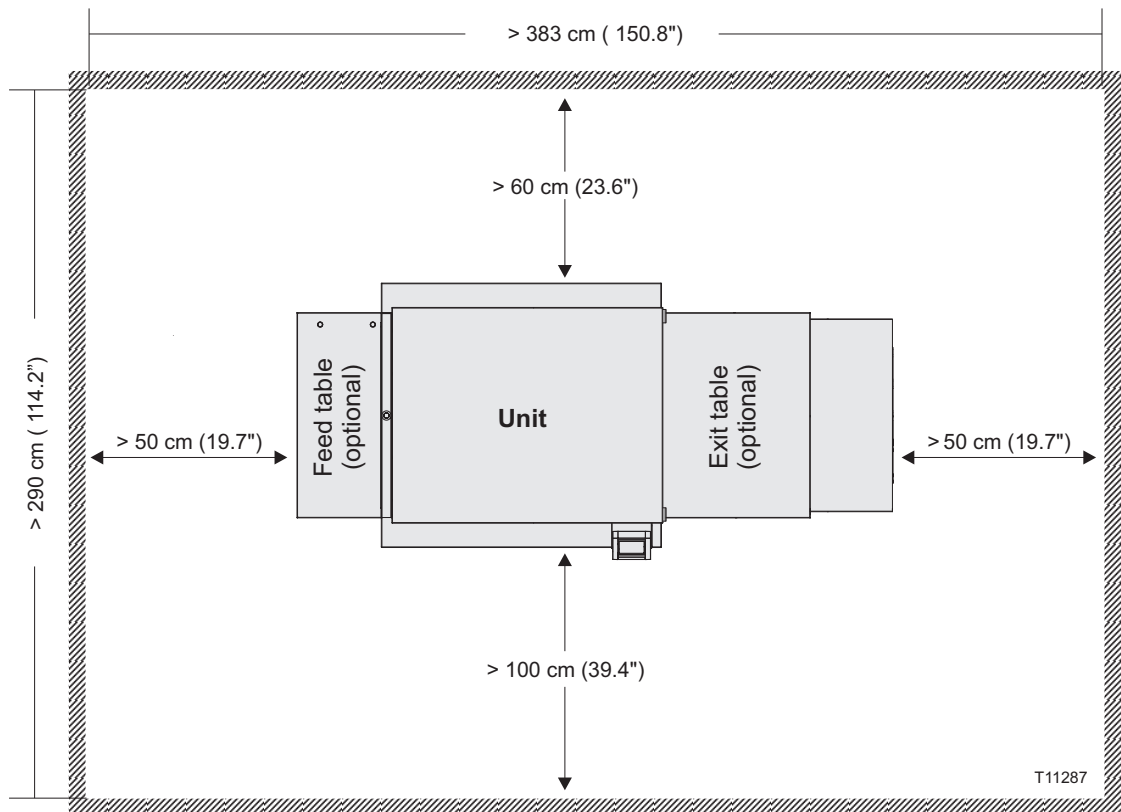
Minimum recommended size of the sink
100 x 40 cm (39.4 x 15.8")

Space requirements

Free space around the unit

Decide where the unit shall be placed and make sure that the free space around the unit makes servicing possible.

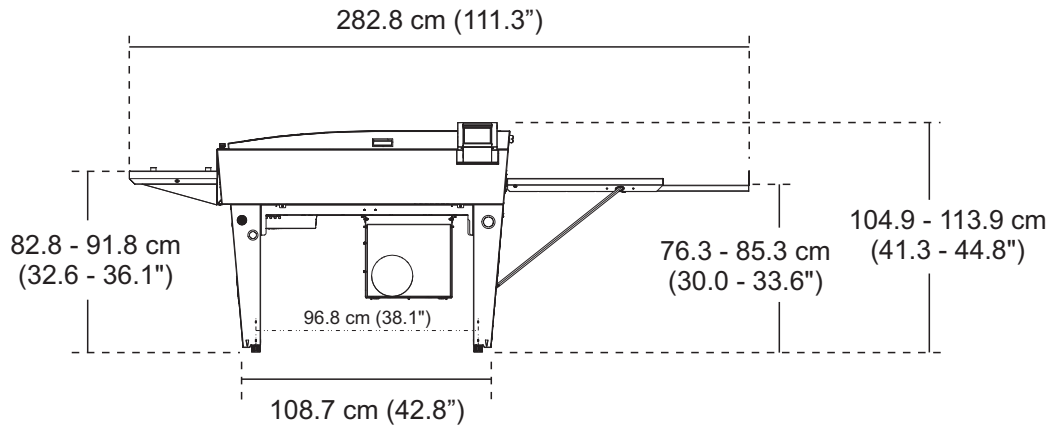
The recommended minimum free space around the unit is specified in the illustrations below:



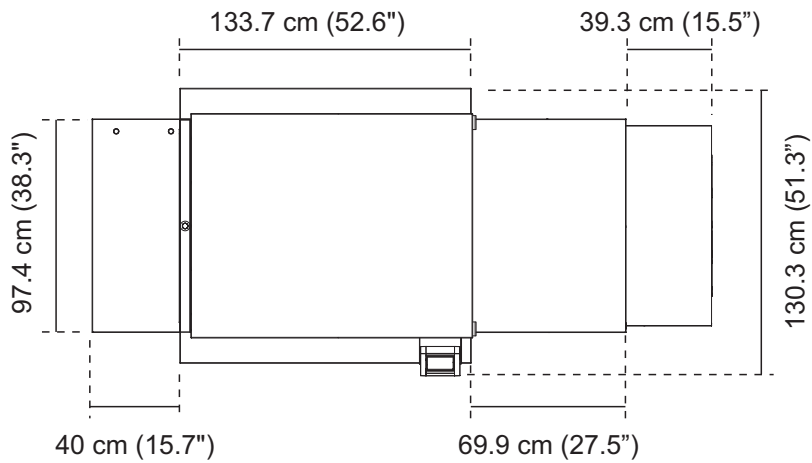
For CtP online units, the space requirements at the unit front must be decided separately.

Unit dimensions

Side view

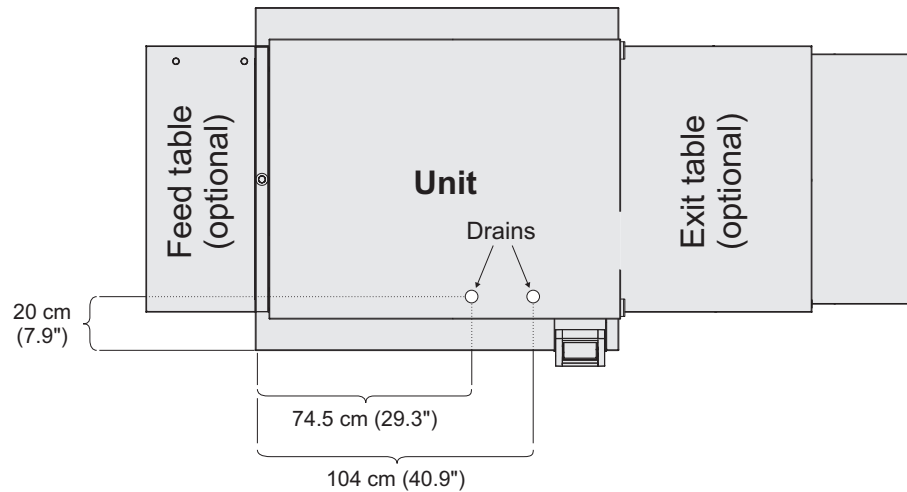


Top view



T11288

Circulation connections



T11290

Drains

All hoses for circulation connection must have a positive fall from the unit to the containers.



Never lead drain hoses from the gum sections into a drain, as most gum solutions are strong pollutants. It is also illegal to empty these types of chemicals into the public sewer system.

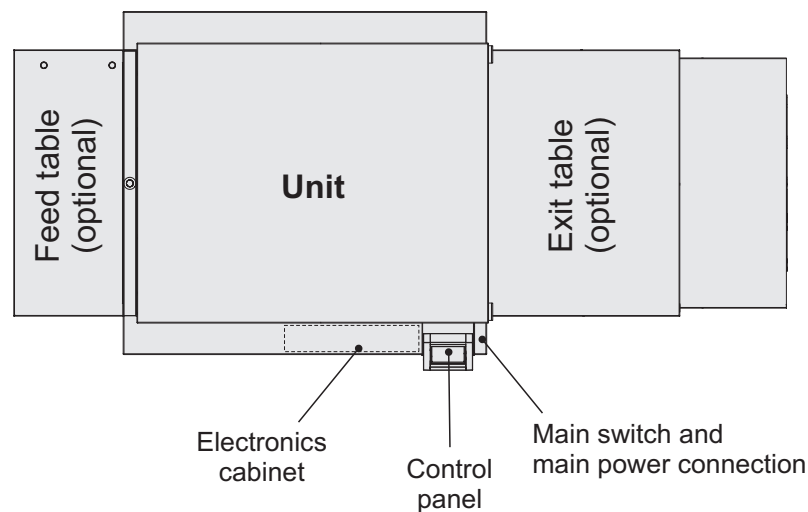
Under all circumstances local regulations applying to the treatment of (chemical) waste must be followed strictly.

Electrical requirements

 Electrical installation must conform to local regulations and guidelines.

Main power connection

The main power connection is made in the unit's field-wiring box located on the right side of the unit as shown in the illustration below.



T11289

Main power outlet

Provide a main power outlet close to the installation site. The table on the next page indicates the applicable power supply types.

Power cable

The cable for the main power connection is delivered with the unit.

 Provide for additional cable protection, e.g. cable covers, if cable is exposed to heavier transport such as forklift trucks etc.


 The unit is Class 1 equipment. Therefore, the unit must be connected to earth to avoid electrical shocks.

Electrical specifications

Installation requirements for power supply

 Specifications on the unit's name plate is the actual input current and will thus not be identical to below mentioned.

	Supply / fuse
EUR	Single phase, 1W + N + PE, 230 VAC / 1 x 16 A, 50/60 Hz
US	Single phase, 2W + PE, 230 VAC / 2 x 20 A, 50/60 Hz
JAP	Single phase, 2W + PE, 200 VAC / 2 x 20 A, 50/60 Hz
All	Voltage tolerance $\pm 10\%$

 Use the power cable provided with the unit.

Fuses

 The fuses must have a breaking capacity of min. 100kA.
If using automatic circuit breakers make sure that they are Type D.

Power consumption

	Power consumption at ...
EUR/ US	Operation: approx. 2.7 kWh (approx. 9000 BTU/hour)
	Stand-by: approx. 0.9 kWh (approx. 3000 BTU/hour)

Part 3: Pre-installation check list

Please ask the customer to answer the following questions in order to ensure a trouble-free installation of the unit:

- 1. Delivery of the crate and transport to the installation site** **YES** **NO**
- A. Is there a place indoors where the crated unit can be stored temporarily.
- B. Is there a hand-powered pallet mover, a fork-lift truck or any other lifting device available?
- C. Can the crate be transported directly to the installation site?
See minimum width specifications on page 1-3.
- D. Is it sufficient to unpack the unit before it is transported to the installation site?
See minimum width specifications on page 1-3.
- E. Are there other factors (stairs, elevators, corners, obstacles, etc.) which should be taken into account when transporting the crate or unit?
- If so, explain:
-
-
-

2. Power supply

- A. Make a note of the present supply specifications:
- | | | | | | |
|---------------------|-------------------|------------------|------|------------|-----------|
| No. of Phases | Voltage | V Fused by | Amps | | |
| Neutral Wire? | Earth Wire? | Frequency | Hz | YES | NO |
- B. Has a connection box been provided to connect the unit to the mains?
- C. Is the customer aware that he/she should provide (or order) all supplies (cables, fuses, etc.) necessary to connect the unit to the mains?
- D. Is there a house electrician available?
- E. Are there any known problems in the building where the unit will be installed?
- If so, explain:
-
-
-

3. Water supply and drain**YES NO**

- | | | |
|--|--------------------------|--------------------------|
| A. Capacity of air condition/ventilation adequate with regard to BTU as specified on page 2-1? | <input type="checkbox"/> | <input type="checkbox"/> |
| B. Is there a large sink (with hot water) for cleaning the equipment? | <input type="checkbox"/> | <input type="checkbox"/> |
| C. Will the unit be connected to a local waste treatment system? | <input type="checkbox"/> | <input type="checkbox"/> |
| D. Availability of warm water for cleaning of the unit? | <input type="checkbox"/> | <input type="checkbox"/> |

4. Disposition of the various supplies and equipment on the installation site: